

SC901 ST

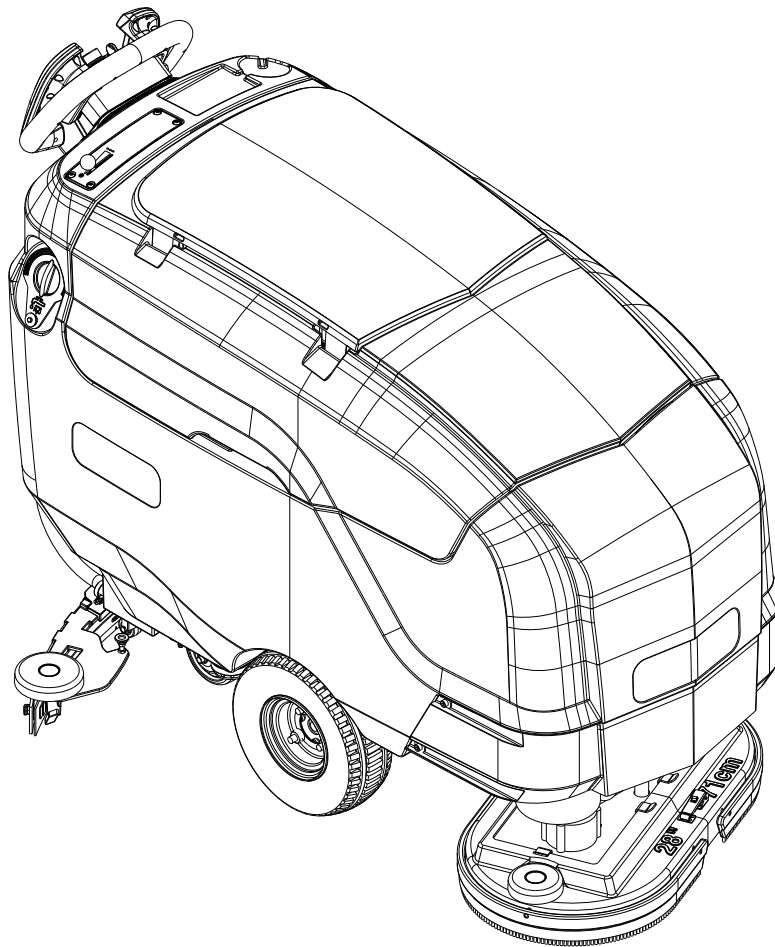
Instructions for use

Instructions for Use
Original Instructions
Instrucciones de uso
Mode d'emploi

3/2019 revised 4/2019 REV B
Form no. 56091217



A-English
B-Español
C-Français



Advance Models:

56115530 (SC901 ST-28D)

56115531 (SC901 ST-34D)

56115532 (SC901 ST-32C)

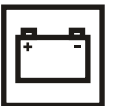


TABLE OF CONTENTS

	Page
Introduction.....	A-3
Parts and Service	A-3
Nameplate	A-3
Unpacking the Machine.....	A-3
Cautions and Warnings	A-4
Know Your Machine.....	A-6 – A-7
Control Panel.....	A-8
Control Panel – EcoFlex™	A-8
Preparing the Machine for Use	
Batteries	A-9 – A-10
Installing the Brushes	A-11 – A-12
Filling the Solution Tank.....	A-13
Squeegee Installation.....	A-13
Detergent System (EcoFlex™).....	A-14 – A-15
Operating the Machine	
Wet Scrubbing.....	A-16 – A-17
After Using the Machine	A-18
Maintenance Schedule.....	A-19
Servicing the Vacuum Motor.....	A-19
Lubricating the Machine	A-19
Maintenance	
Charging the Batteries (Wet).....	A-20
Charging the Batteries (Gel).....	A-20
Servicing the Squeegee	A-21
Adjusting the Squeegee	A-21
Troubleshooting.....	A-22
Technical Specifications	A-23
Material Composition.....	A-24

INTRODUCTION

This manual will help you get the most from your **Advance™** automatic scrubber/dryer. Read it thoroughly before operating the machine.

Note: Bold numbers in parentheses indicate an item illustrated on pages A-6 – A-8 unless otherwise noted.

This product is intended for commercial use only.

PARTS AND SERVICE

Repairs, when required, should be performed by your Authorized Advance Service Center, who employs factory trained service personnel, and maintains an inventory of Advance original replacement parts and accessories.

Call Advance for repair parts or service. Please specify the Model and Serial Number when discussing your machine.

MODIFICATIONS

Modifications and additions to the cleaning machine which affect capacity and safe operation shall not be performed by the customer or user without prior written approval from Nilfisk Inc. Unapproved modifications will void the machine warranty and make the customer liable for any resulting accidents.

NAMEPLATE

The Model Number (also known as Part Number) and Serial Number of your machine are shown on the Nameplate in the battery compartment. This information is needed when ordering repair parts for the machine. Use the space below to note the Part Number and Serial Number of your machine for future reference.

PART NO. _____

SERIAL NO. _____

UNPACKING THE MACHINE

When the machine is delivered, carefully inspect the shipping packaging and the machine for damage. If damage is evident, save the shipping carton (if applicable) so that it can be inspected. Contact the Advance Customer Service Department immediately to file a freight damage claim. Refer to the unpacking instruction sheet included with the machine to remove the machine from the pallet.

REGULATORY

FCC:

This device complies with part 15 of the FCC rules. Operation is subject to the following two conditions: (1) This device may not cause harmful interference, and (2) this device must accept any interference received, including interference that may cause undesired operation.

Users are not permitted to make changes or modify the device in any way. Changes or modifications not expressly approved by Nilfisk, Inc. will void the user's authority to operate the equipment.

IC:

This device complies with Industry Canada ICES-002. Operation is subject to the following two conditions: (1) This device may not cause harmful interference and (2) This device must accept any interference received, including interference that may cause undesired operation of the device.

CAUTIONS AND WARNINGS

SYMBOLS

Advance uses the symbols below to signal potentially dangerous conditions. Read this information carefully and take the necessary steps to protect personnel and property.

DANGER!

Is used to warn of immediate hazards that will cause severe personal injury or death.

WARNING!

Is used to call attention to a situation that could cause severe personal injury.

CAUTION!

Is used to call attention to a situation that could cause minor personal injury or damage to the machine or other property.



Read all instructions before using.

GENERAL SAFETY INSTRUCTIONS

Specific Cautions and Warnings are included to warn you of potential danger of machine damage or bodily harm.

This machine is for commercial use, for example in hotels, schools, hospitals, factories, shops and offices other than normal residential housekeeping purposes.

WARNING!

- This machine should only be used by properly trained and authorized persons.
- This machine is not intended for use by persons (including children) with reduced physical, sensory or mental capabilities, or lack of experience and knowledge, unless they have been given supervision or instruction concerning use of the machine by a person responsible for their safety.
- Children should be supervised to ensure that they do not play with the machine.
- Close attention is necessary when used near children.
- While on ramps or inclines, avoid sudden stops. Avoid abrupt sharp turns. Use low speed down ramps.
- Keep sparks, flame and smoking materials away from batteries. Explosive gases are vented during normal operation.
- Charging the batteries produces highly explosive hydrogen gas. Charge batteries only in well-ventilated areas, away from open flame. Do not smoke while charging the batteries.
- Remove all jewelry when working near electrical components.
- Turn the key switch off (O) and disconnect the batteries before servicing electrical components.
- Never work under a machine without safety blocks or stands to support the machine.
- Do not dispense flammable cleaning agents, operate the machine on or near these agents, or operate in areas where flammable liquids exist.
- Do not clean this machine with a pressure washer.
- Only use the brushes provided with the appliance or those specified in the instruction manual. The use of other brushes may impair safety.
- Observe the Gross Vehicle Weight, GVW, of the machine when loading, driving, lifting or supporting the machine.

CAUTIONS AND WARNINGS - CONTINUED** CAUTION!**

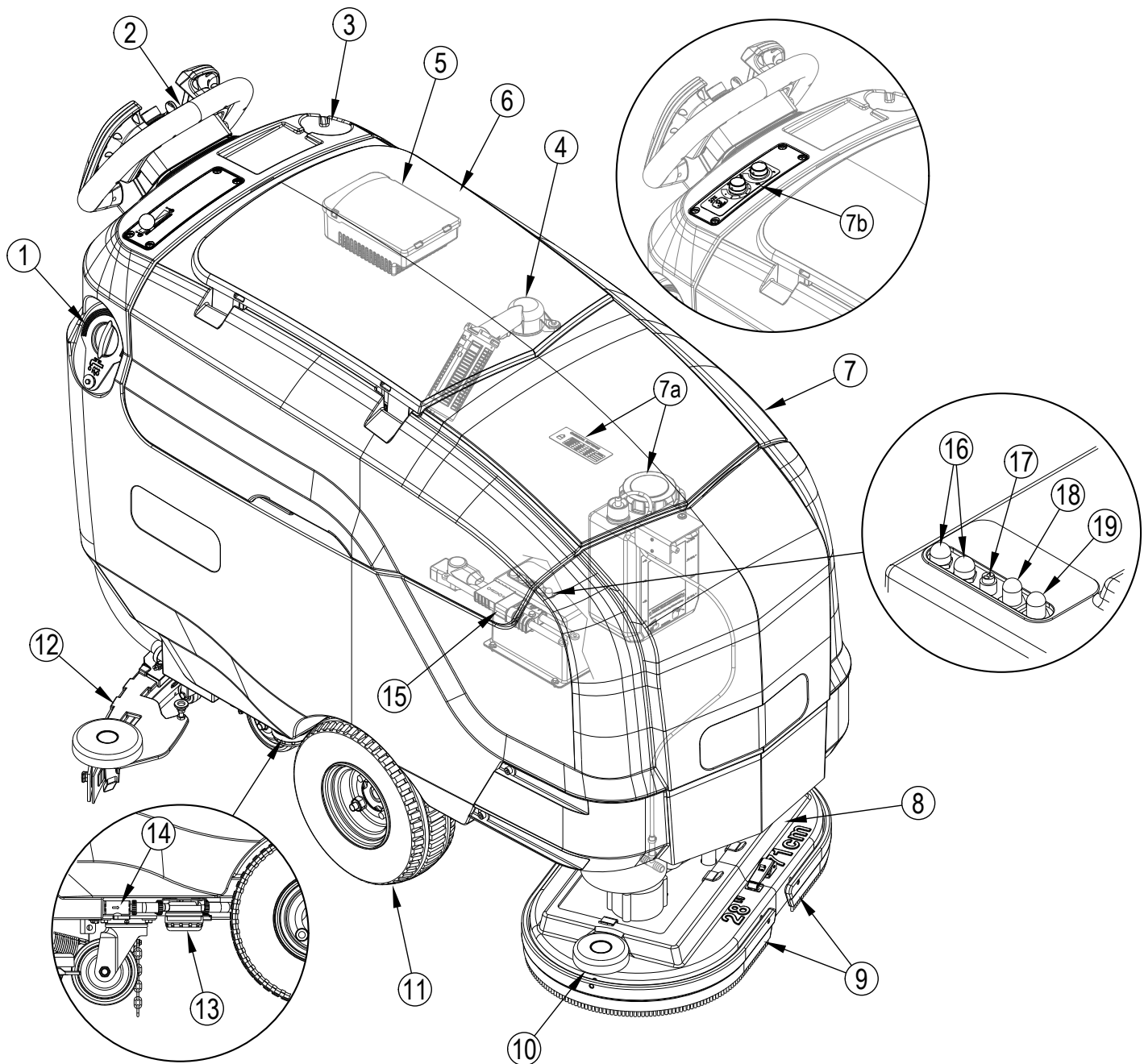
- This machine is not approved for use on public paths or roads.
- This machine is not suitable for picking up hazardous dust.
- Use care when using scarifier discs and grinding stones. Advance will not be held responsible for any damage to floor surfaces caused by scarifiers or grinding stones.
- When operating this machine, ensure that third parties, particularly children, are not endangered.
- Before performing any service function, carefully read all instructions pertaining to that function.
- Do not leave the machine unattended without first turning the key switch off (O), removing the key and securing the machine.
- Turn the key switch off (O) and remove the key, before changing the brushes, and before opening any access panels.
- Take precautions to prevent hair, jewelry, or loose clothing from becoming caught in moving parts.
- Use caution when moving this machine in below freezing temperature conditions. Any water in the solution, recovery or detergent tanks or in the hose lines could freeze, causing damage to valves and fittings. Flush with windshield washer fluid.
- The batteries must be removed from the machine before the machine is scrapped. The disposal of the batteries should be safely done in accordance with your local environmental regulations.
- Do not use on surfaces having a gradient exceeding that marked on the machine.
- All doors and covers are to be positioned as indicated in the instruction manual before using the machine.
- Refer to the battery charger OEM product manual for additional specific battery charger warnings.

SAVE THESE INSTRUCTIONS

KNOW YOUR MACHINE

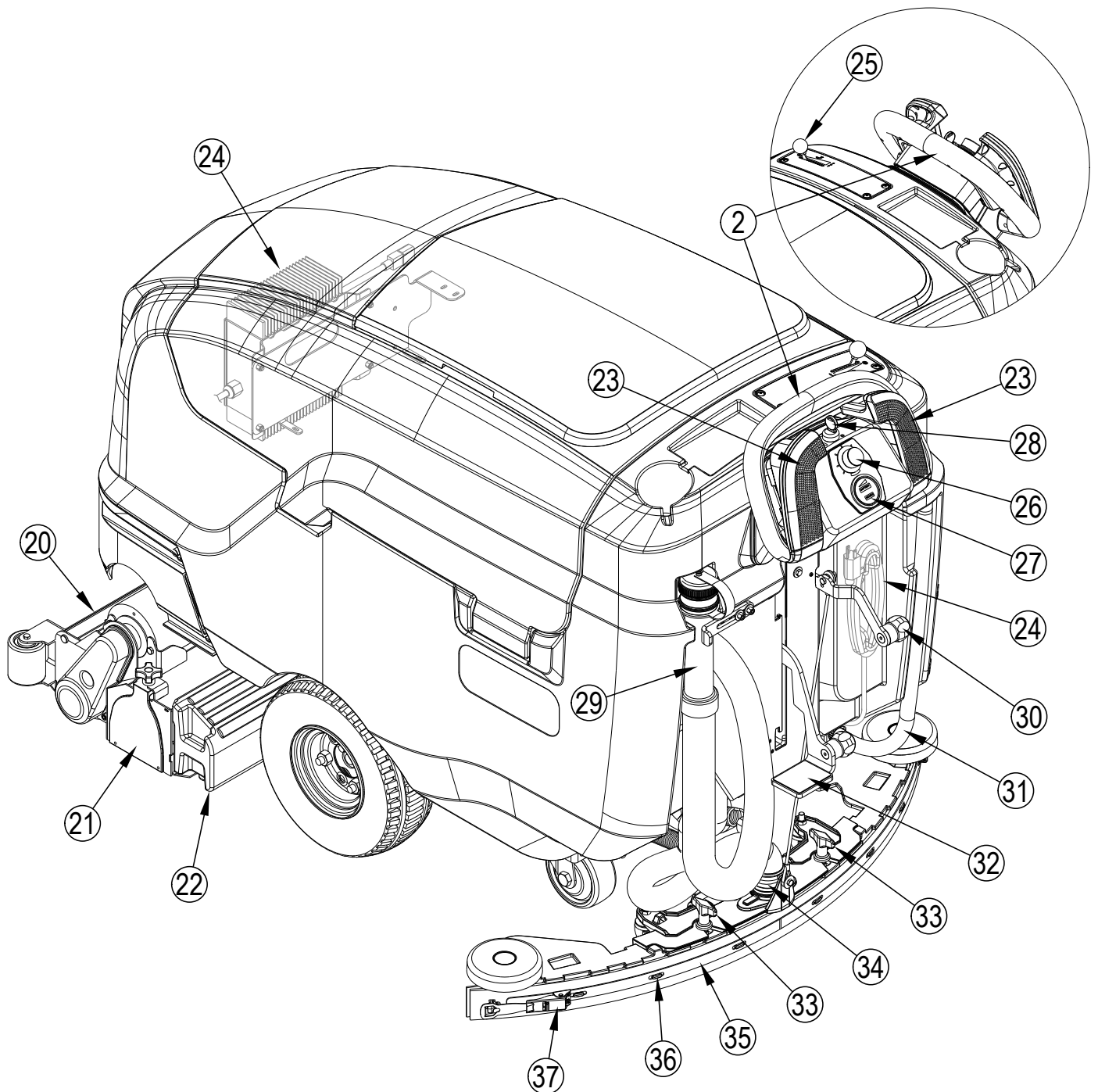
As you read this manual, you will occasionally run across a bold number or letter in parentheses - example: **(2)**. These numbers refer to an item shown on these pages unless otherwise noted. Refer back to these pages whenever necessary to pinpoint the location of an item mentioned in the text. **NOTE:** Refer to the service manual for detailed explanations of each item illustrated on the next 3 pages.

- | | | | |
|----|--|----|---------------------------------------|
| 1 | Solution Tank Fill | 10 | Scrub Deck Bumper Wheel |
| 2 | Operator Control Handle | 11 | Drive Wheel |
| 3 | Bottle Holder / Squeegee hanger location | 12 | Squeegee Assembly |
| 4 | Vacuum Motor Shutoff Float | 13 | Solution Filter |
| 5 | Debris Tray | 14 | Solution Shut-off Valve |
| 6 | Recovery Tank Lid | 15 | Battery Pack Connector |
| 7 | Recovery Tank (Detergent Cartridge Access Cover) | 16 | Brush Motor Circuit Breakers (30 Amp) |
| 7a | Detergent Cartridge (EcoFlex models only) | 17 | Vacuum Fan Circuit Breaker (20 Amp) |
| 7b | Detergent Module (EcoFlex models only) | 18 | Wheel Drive Circuit Breaker (30 Amp) |
| 8 | Scrub Deck (Disc models) | 19 | Key Switch Circuit Breaker (2.5 Amp) |
| 9 | Brush Housings (include Bristle Skirt) | | |



KNOW YOUR MACHINE

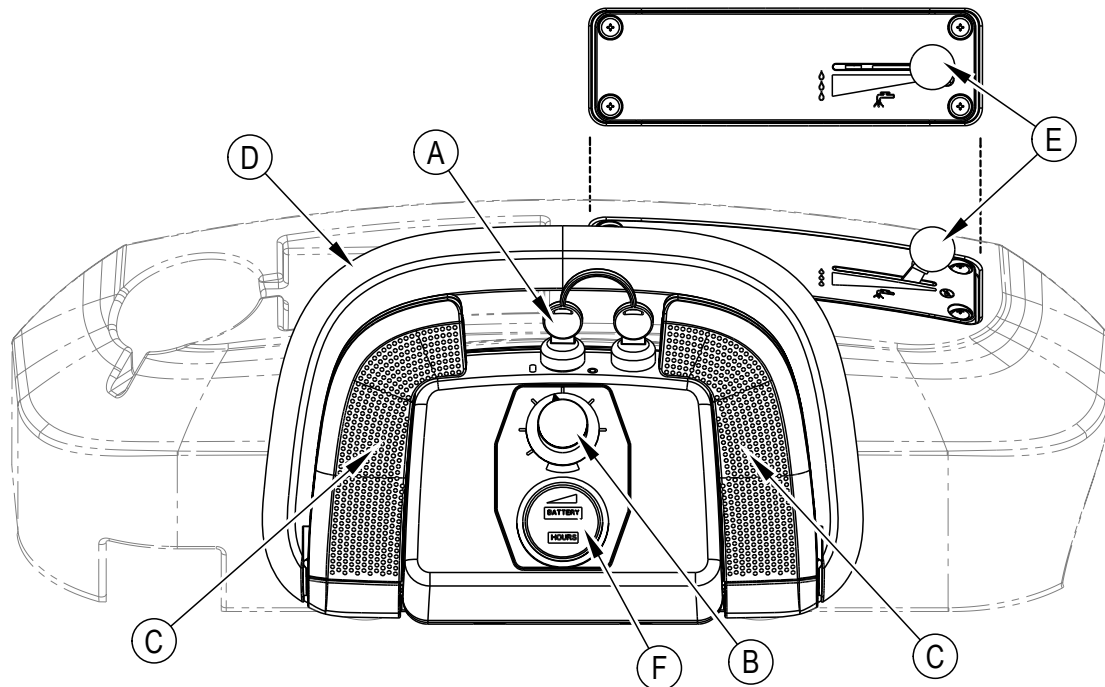
- | | | | |
|----|---|----|---------------------------------------|
| 2 | Operator Control Handle | 29 | Recovery Tank Drain Hose |
| 20 | Solution Manifold (Cylindrical Models Only) | 30 | Squeegee Raise / Lower Lever |
| 21 | Idler Assembly (Cylindrical Models Only) | 31 | Solution Drain Hose / Level Indicator |
| 22 | Debris Hopper (Cylindrical Models Only) | 32 | Scrub Deck Raise / Lower Lever |
| 23 | Forward / Reverse Drive Paddle | 33 | Squeegee Mount Thumb Nut |
| 24 | Onboard Battery Charger (Not found on all models) | 34 | Recovery Hose |
| 25 | Solution Control | 35 | Squeegee Blade Tension Strap |
| 26 | Speed Limit Control Knob | 36 | Squeegee Blade Alignment Pins |
| 27 | Battery Hour Gauge | 37 | Squeegee Blade Latch |
| 28 | Water proof Key Switch | | |



CONTROL PANEL

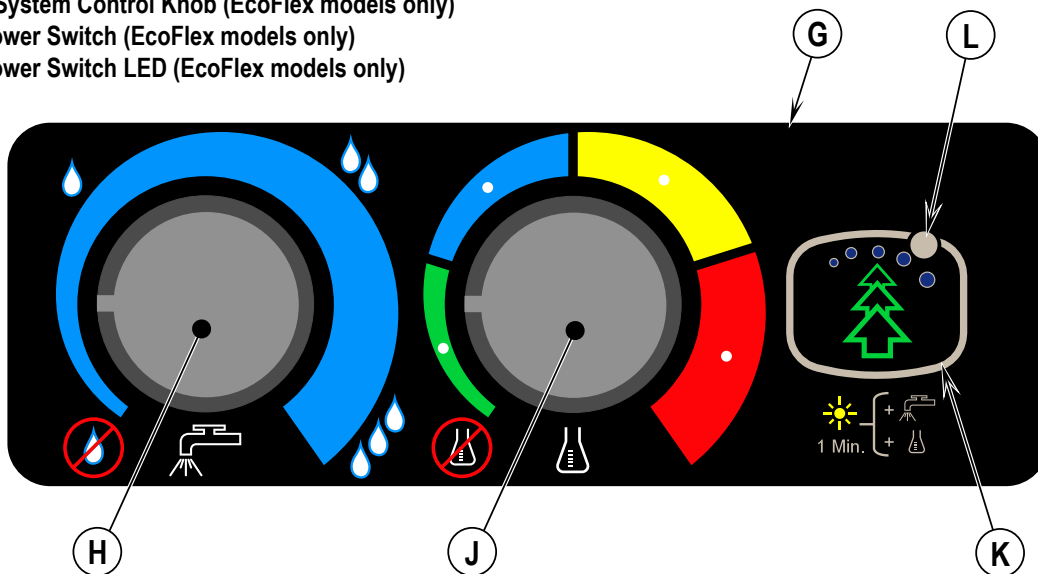
- A Key Switch (Main Power)
- B Speed Control Knob
- C Forward / Reverse Drive Paddle
- D Operator Control Handle
- E Solution Control (ST Models)
- F Battery / Hour Gauge

The non-resettable Hour Gauge displays the running total of hours accumulated on the scrub motors up to 99,999 hours. The hour glass symbol flashes on/off to indicate time counting.



CONTROL PANEL – ECOFLEX

- G Detergent Module (EcoFlex models only)
- H Solution Flow Control Knob (EcoFlex models only)
- J Detergent System Control Knob (EcoFlex models only)
- K Burst of Power Switch (EcoFlex models only)
- L Burst of Power Switch LED (EcoFlex models only)



BATTERIES

If your machine shipped with batteries installed do the following:

- Check that the batteries are connected to the machine (15).
Turn ON the Key Switch (A) and check the Battery / Hour Gauge (F). Battery Charge capacity is indicated using a 10 segment LED bar graph display from full (right LED segment lit) to empty (left LED segment lit). LED Flash Alert™ flashes the 2nd LED from the left as a warning that the battery has discharged 70%.
At 80% discharge, LED Flash Alert™ alternately flashes the left 2 LEDs to indicate very low capacity is remaining. At this level the scrub systems are disabled to protect the battery. The vacuum system will continue to operate to allow recovery of any solution remaining on floor.
- **IMPORTANT!:** BATTERIES SHOULD BE FULLY CHARGED BEFORE EACH USE. SEE THE “CHARGING THE BATTERIES” SECTION.
- **IMPORTANT!:** IF YOUR MACHINE HAS AN ONBOARD BATTERY CHARGER REFER TO THE OEM PRODUCT MANUAL FOR INSTRUCTIONS REGARDING SETTING THE CHARGER FOR BATTERY TYPE.

If your machine shipped without batteries installed do the following:

- Consult your Authorized Advance dealer for recommended batteries.
- Install the batteries by following the instructions below.
- **DO NOT install three 12 volt batteries in your machine. This affects the stability of the machine.**
- **IMPORTANT!:** IF YOUR MACHINE HAS AN ONBOARD BATTERY CHARGER REFER TO THE OEM PRODUCT MANUAL FOR INSTRUCTIONS REGARDING SETTING THE CHARGER FOR BATTERY TYPE.



WARNING!

Use extreme caution when working with batteries. Sulfuric acid in batteries can cause severe injury if allowed to contact the skin or eyes. Explosive hydrogen gas is vented from the batteries through openings in the battery caps. This gas can be ignited by any electrical arc, spark or flame. Do not install any lead-acid battery in a sealed container or enclosure. Hydrogen gas from overcharging must be allowed to escape.

When Servicing Batteries...

- * Remove all jewelry
- * Do not smoke
- * Wear safety glasses, rubber gloves and a rubber apron
- * Work in a well-ventilated area
- * Do not allow tools to touch more than one battery terminal at a time
- * ALWAYS disconnect the negative (ground) cable first when replacing batteries to prevent sparks.
- * ALWAYS connect the negative cable last when installing batteries.



CAUTION!

Electrical components in this machine can be severely damaged if the batteries are not installed and connected properly. Advance, a qualified electrician, or the battery manufacturer should install batteries.

When changing batteries or the charger, please contact your local authorized service center for correct battery, charger and machine settings to prevent battery damage.

BATTERIES (CONTINUED)

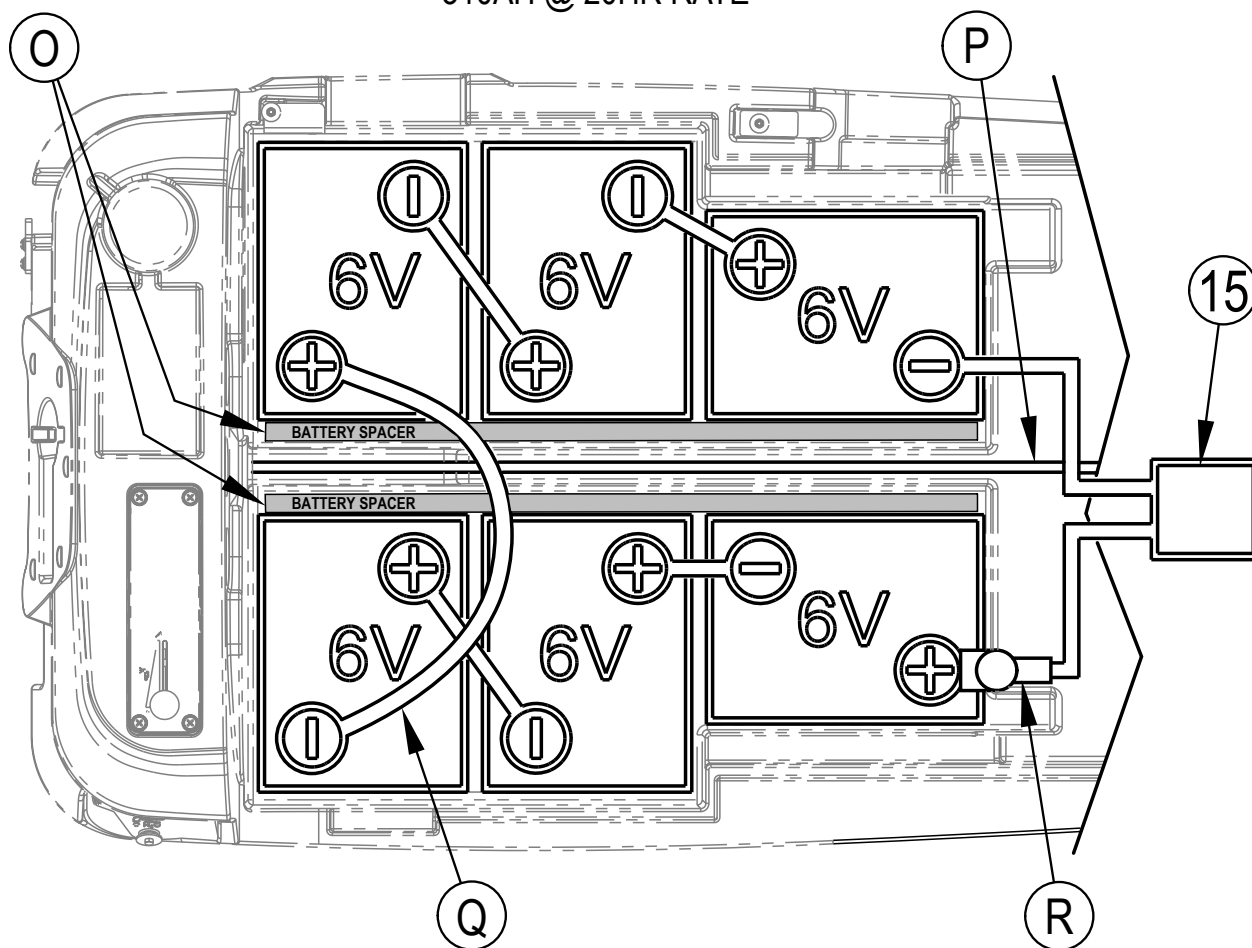
- 1 Remove the batteries from their shipping crate and carefully inspect them for cracks or other damage. If damage is evident, contact the carrier that delivered them or the battery manufacturer to file a damage claim.
- 2 Turn the Master Key Switch (A) OFF and remove the key.
- 3 Tip the recovery tank to the side, locked position. Remove the battery cables from inside the battery compartment.
- 4 Your machine comes from the factory with enough battery cables to install six 6 volt batteries. Carefully lift the batteries into the battery compartment and arrange them exactly as shown in **Figure 1**. Secure the batteries as close to the back of the machine as possible.
NOTE: Battery spacers (O) need to be installed between the bottom of the batteries and the short wall on the bottom of the tank to create more space between the batteries and prevent the Deck Lever Arm (P) from hitting the batteries.
- 5 Install the battery cables as shown. Position the cables so the battery caps can be easily removed for battery service. To prevent interference, route the cable (Q) over the top of the Deck Lever Arm (P) as shown in **Figure 1**.

IMPORTANT!: The protective caps supplied with the batteries need to be left on or re-used to completely cover the portion of the battery terminals that are not being protected by the battery cable terminal cover boots supplied with the battery cables. This also applies to the inline fuse holder boot.

- 6 Carefully tighten the nut in each battery terminal until the terminal will not turn. Do not over-tighten the terminals, or they will be very difficult to remove for future service.
- 7 Coat the terminals with spray-on battery terminal coating (available at most auto parts stores).
- 8 Put one of the rubber terminal cover boots over each of the terminals and connect the Battery Pack Connector (15).
- 9 Make sure the Fuse Holder Boot (R) is covering the fuse holder, the cable end of the Battery Pack Connector (15), and as much of the battery terminal as possible. Leave the protective caps supplied with the batteries in place or re-use to cover the terminal areas not protected by the terminal cover boots.

FIGURE 1

310AH @ 20HR RATE



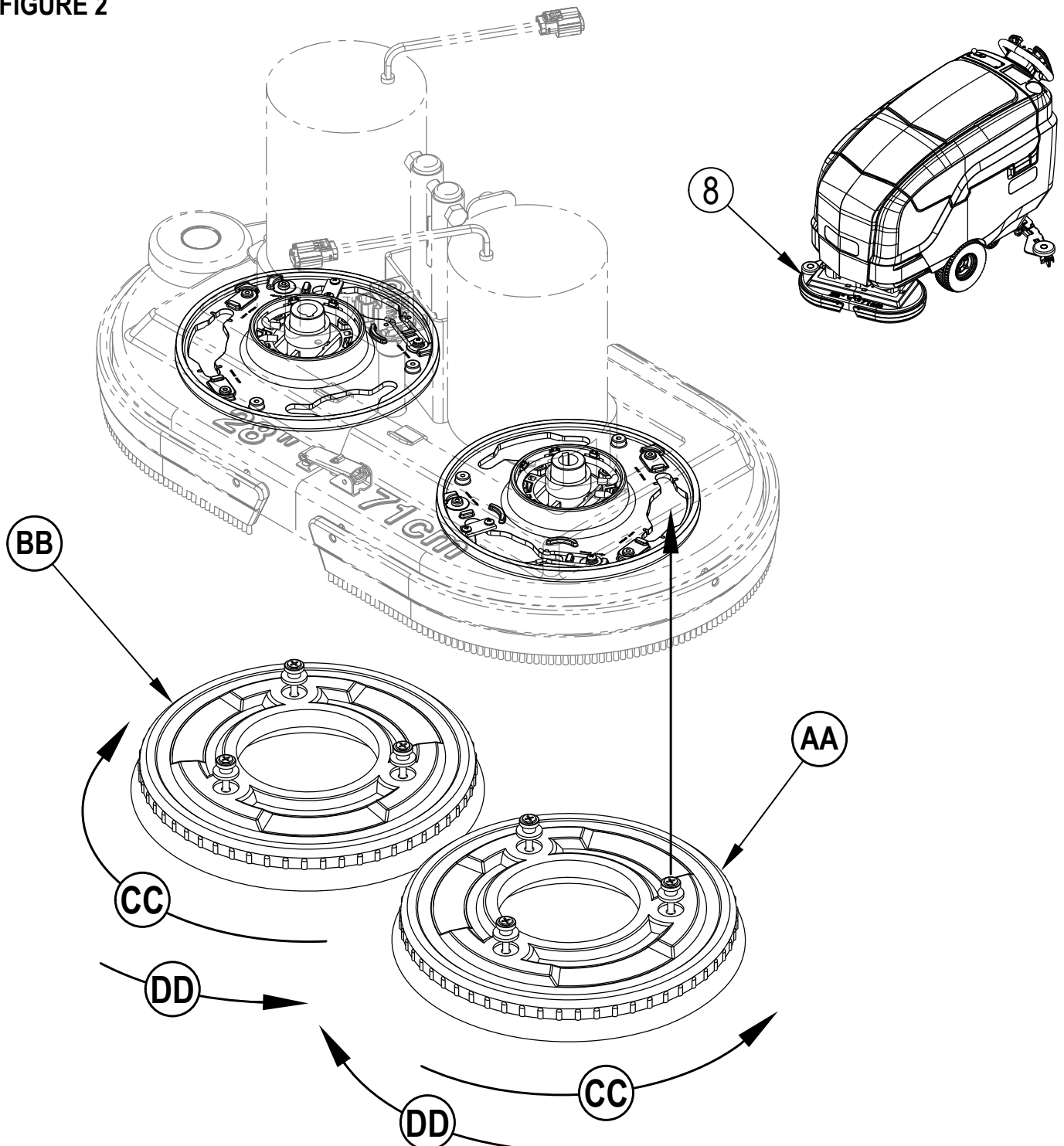
INSTALLING THE BRUSHES (DISC SYSTEM)

⚠ CAUTION!

Turn the key switch off (O) and remove the key, before changing the brushes, and before opening any access panels.

- 1 Make sure the Scrub Deck (8) is in the RAISED position. Make sure the Key Switch (A) is off (O).
- 2 If using pads, install the pads on the pad holders.
- 3 See Figure 2. To mount the Brushes (AA) (or pad holders) align the Lugs (BB) on the brush with the holes on the mounting plate and turn to lock in place (turn the outside edge of brush towards the rear of machine as shown (CC)). **NOTE:** During operation the brushes should rotate in direction (DD).

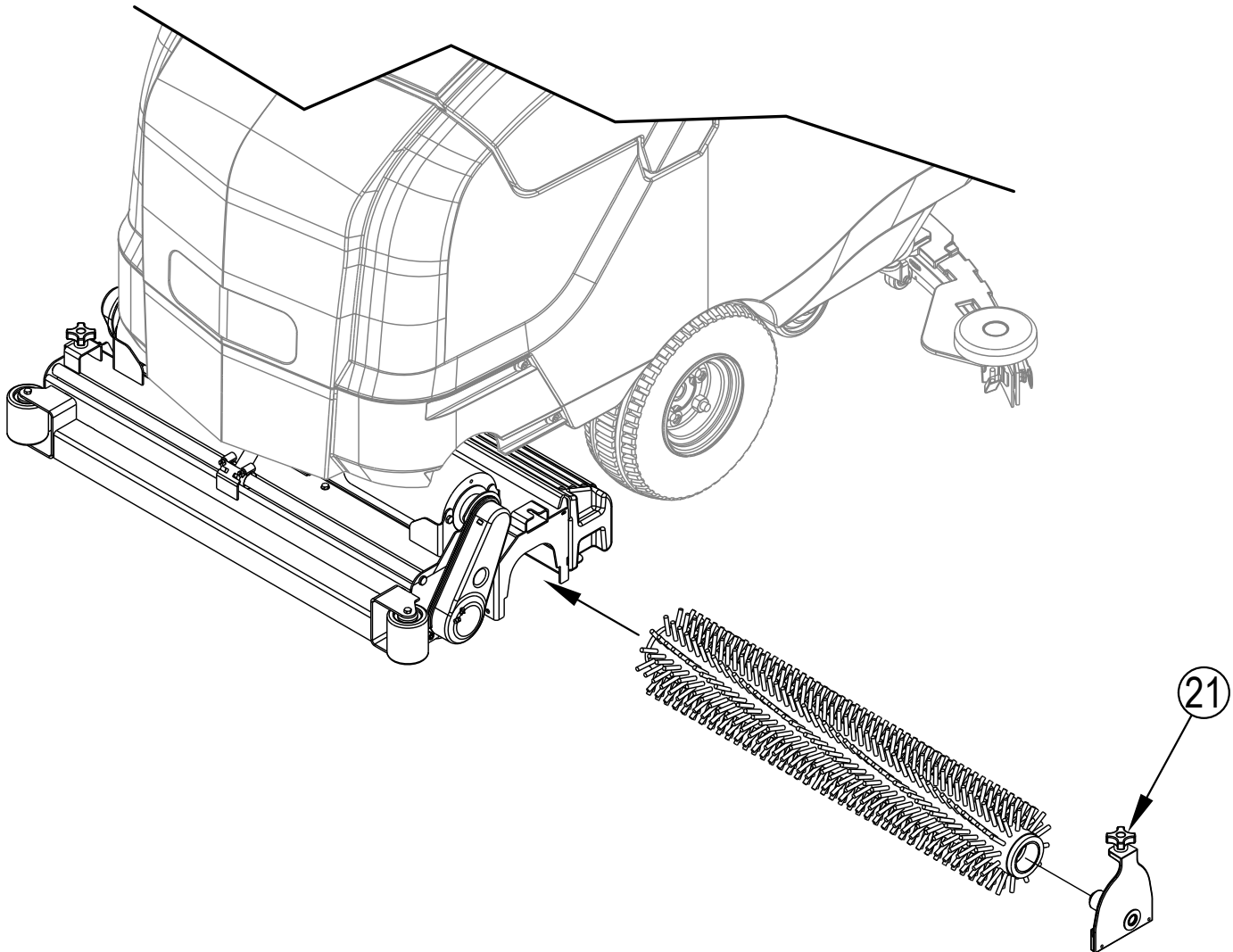
FIGURE 2



INSTALL THE BRUSHES (CYLINDRICAL SYSTEM)**⚠ CAUTION!**

Turn the key switch off (O) and remove the key, before changing the brushes, and before opening any access panels.

- 1 Make sure the Brush Deck is in the RAISED position. Make sure the Key Switch (A) is off (O).
- 2 **See Figure 3.** To access the brushes loosen the black knobs (one on each side) on top of the idler assemblies (21) and remove the idler assemblies. Slide the brush into the housing, lift slightly, push and turn until it seats. Re-install the idler assemblies.

FIGURE 3

FILLING THE SOLUTION TANK

Fill the solution tank with a maximum of 30 gallons (113.5 Liters) of cleaning solution. Do not fill the solution tank above 7.5 cm (3 inches) from the bottom of the Solution Fill (1). The solution should be a mixture of water and the proper cleaning chemical for the job. Always follow the dilution instructions on the chemical container label. **NOTE:** EcoFlex machines can either be used conventionally with detergent mixed in the tank or the detergent dispensing system can be used.

⚠ CAUTION!

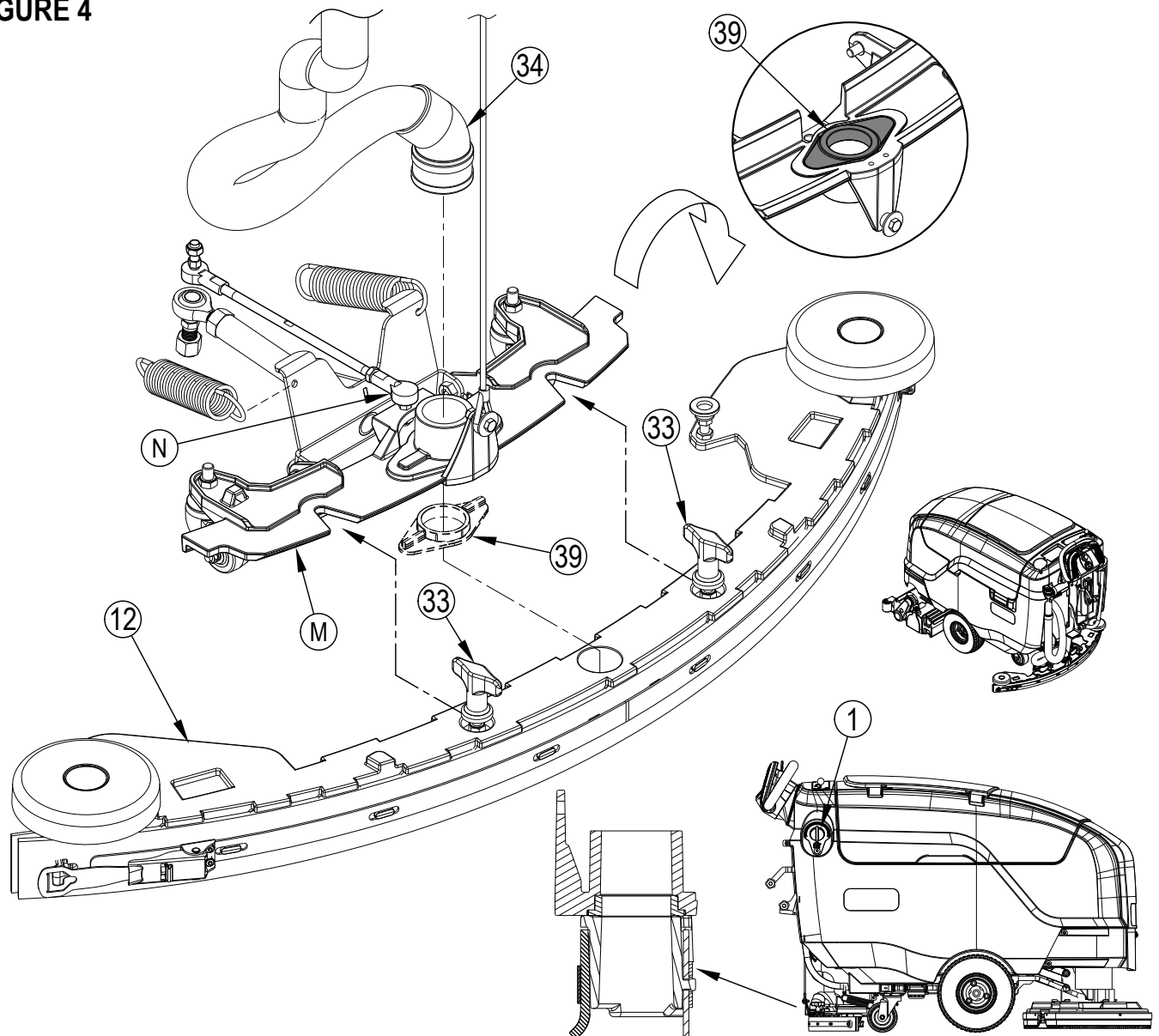
Use only low-foaming, non-flammable liquid detergents intended for machine application. Water temperature should not exceed 130 degrees Fahrenheit (54.4 degrees Celsius)

SQUEEGEE INSTALLATION

- 1 See Figure 4. Ensure the Squeegee Seal (39) is free from debris and installed in the Squeegee Mount Bracket (M).
- 2 Slide the Squeegee Assembly (12) onto the Squeegee Mount Bracket (M) and tighten the Squeegee Mount Thumb Nuts (33).
IMPORTANT!: HAND TIGHTEN THE SQUEEGEE THUMB NUTS ONLY, DO NOT USE TOOLS.
- 3 Connect the Recovery Hose (34) to the squeegee inlet.
- 4 The Squeegee Mount Bracket (M) has a factory set position so that the rear squeegee blade touches the floor evenly across its entire width and is bent over slightly as shown.

NOTE: A service technician can adjust the Turnbuckle Assembly (N) to change the squeegee angle if needed.

FIGURE 4



DETERGENT SYSTEM PREPARATION AND USE (ECOFLEX MODELS ONLY)

COMMON INSTRUCTIONS:

The system should be purged of previous detergent when switching to a different detergent. **SERVICE NOTE:** Move machine over floor drain before purging because a small amount of detergent will be dispensed in the process.

To Purge Weekly or When Changing Chemicals:

- 1 Disconnect and remove the detergent cartridge. Install and connect a cartridge filled with clean water and transport machine to a floor drain.
- 2 **See Figure 5.** Turn the Key Switch (A) ON. Turn the Speed Control Knob (B) to its lowest setting. Turn the Solution Knob (H), and Detergent Knob (J) to its maximum settings. Drop the scrub deck and press the Drive Paddle (C) forward for (1) minute to run water thru the EcoFlex system. Normally one purge cycle is adequate to purge the system.
- 3 Use visual inspection of the Detergent Cartridge (7a) to determine when it is empty. You should be able to simply pour an entire gallon (3,80 litres) bottle of detergent into the Cartridge to refill without worrying about measuring.

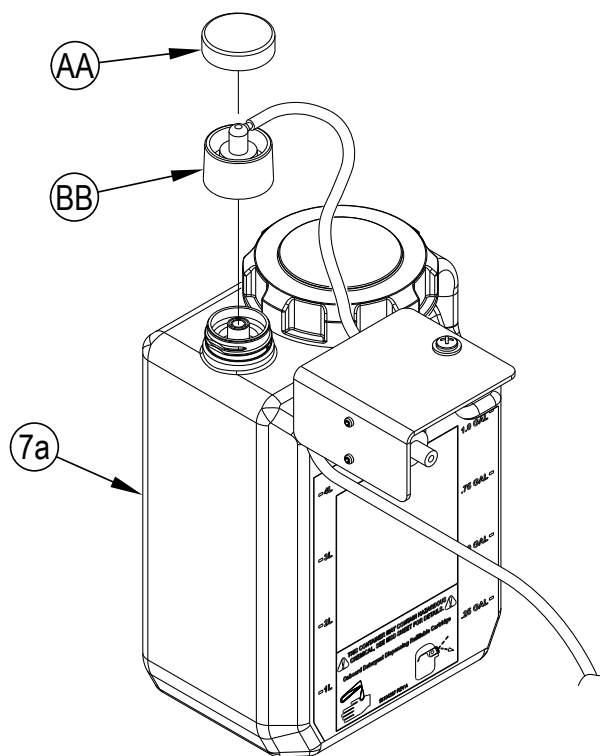
Detergent Ratio:

- 1 **See Figure 5.** The solution flow rate is controlled by manually turning Solution Knob (H) which varies solution flow rate from 0 to 1 gallon (3,80 litres) per minute (gpm).
- 2 The Detergent Knob (J) varies detergent concentration from 400:1 to 32:1. Manually select the center position of the desired ratio that is color coded on the Detergent Module (G, 7b) and color coded with the settings listed on the chemical settings decal. Green=1/2 oz./gallon, Blue=1 oz./gallon, Yellow=2 oz./gallon, Red=3 oz./gallon.
The detergent ratio is variable and you can run it leaner or richer from the center position of the desired ratio.
- 3 Both knobs have small dead zones at both endpoints. The lower dead zone will turn that feature "off" (solution = 0gpm, or detergent = 1:0). The upper dead zone will set that feature to max (solution = 1 gpm, or detergent = 32:1).
- 4 The Burst of Power Switch (K) enables and disables the Burst of Power feature. Burst of Power will increase solution flow rate by 0.33 gpm (1,25 lpm), and double the concentration of detergent for 60 seconds. Pressing the Burst of Power Switch (K) while the feature is enabled will disable it.
- 5 The Burst of Power Switch LED (L) will turn on when scrubbing. Normally the LED is continuous, but it will flash when the Burst of Power feature is "on". This flashing will increase in speed for the last 10 seconds of Burst of Power's 60 second timeout.

CARTRIDGE SPECIFIC INSTRUCTIONS:

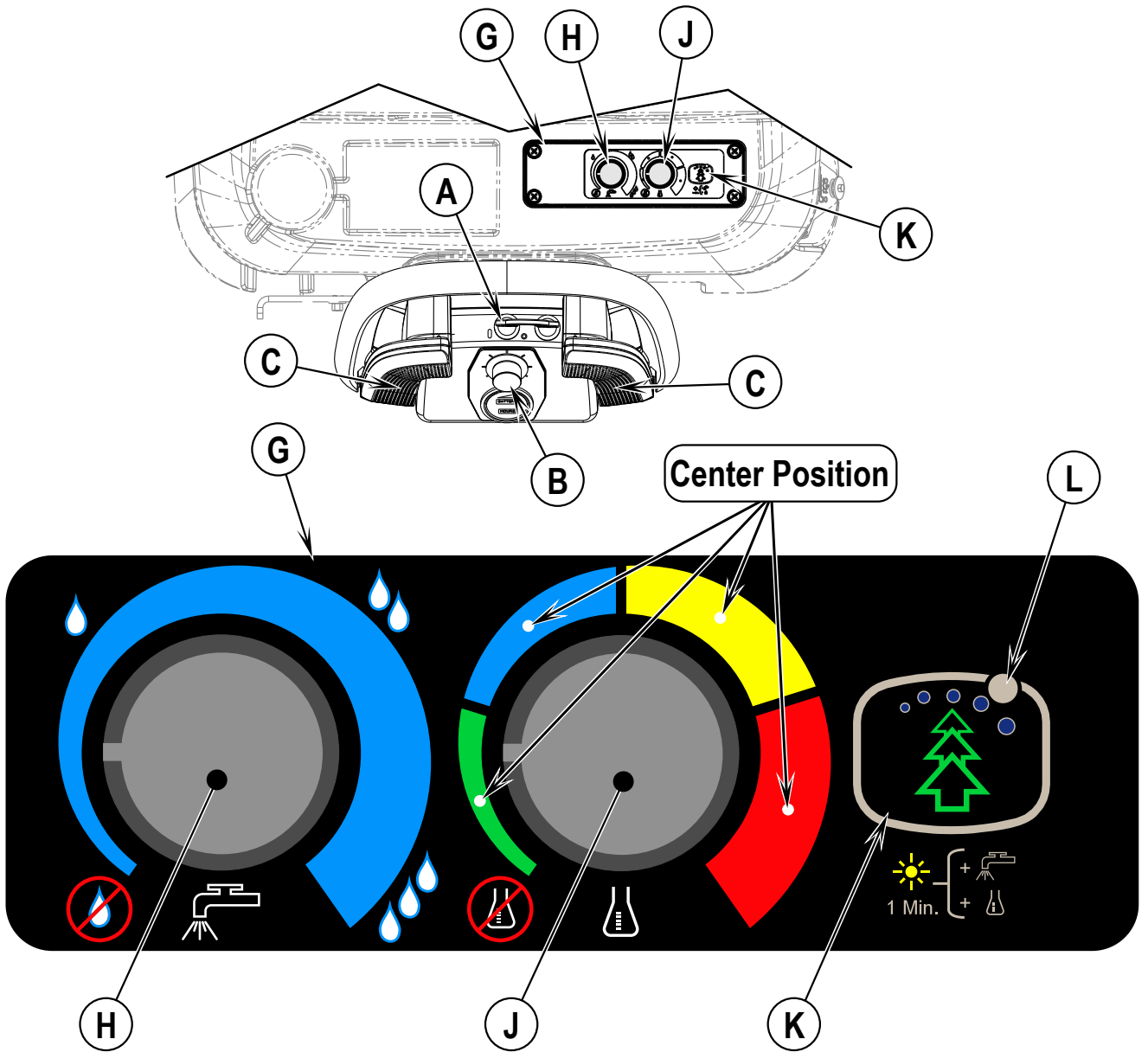
Fill the detergent cartridge (7a) with a maximum of 1.25 gallons (4.73 Liters) of detergent. **SERVICE NOTE:** Remove the detergent cartridge from the machine prior to filling to avoid spilling detergent on the machine.

It is recommended that a separate cartridge be used for each detergent you plan to use. The detergent cartridges have a white decal on them so you can write the detergent name on each cartridge to avoid mixing them up. When installing a new cartridge, remove the Cap (AA) and place the cartridge in the detergent box. Install the Dry Break Cap (BB) as shown.



DETERGENT SYSTEM PREPARATION AND USE (ECOFLEX MODELS ONLY)

FIGURE 5



CHEMICAL SETTINGS



QUANTITY	%	RATIO	COLOR
0.5 Oz/gal	0.4%	1:256	Green
1 Oz/gal	0.8%	1:128	Blue
2 Oz/gal	1.6%	1:64	Yellow
3 Oz/gal	2.3%	1:43	Red

WET SCRUBBING

WARNING!

Be sure you understand the operator controls and their functions. While on ramps or inclines, avoid sudden stops when loaded. Avoid abrupt sharp turns. Use low speed down hills. Clean only while ascending (driving up) the ramp.

- 1 Follow the instructions in the Preparing the Machine For Use section of this manual.
- 2 Turn the Master Key Switch (A, 28) ON (I). This will display the control panel indicator lights; reference the Battery / Hour Gauge on the Display (F, 27).
- 3 To transport the machine to the work area, start with your hands on the Operator Control Handle (D, 2). Push the Drive Paddle (C, 23) to go forward or pull the Drive Paddle (C, 23) backward to move the machine in reverse. Vary the pressure on the Drive Paddle (C, 23) to obtain the desired speed.
NOTE: Speed Control Knob (B, 26) is used to control the maximum speed in either forward or reverse.
- 4 Stop the machine by releasing the Drive Paddle (C, 23).
- 5 Use Deck Lever (32) to lower deck, (machine is now ready to scrub when the machine begins to move). Use Deck Lever (32) to increase scrub pressure by locking lever into the medium or high position on the Deck Lever Support. **SEE DETAIL 1.**
When using the high scrub position in aggressive applications brush motor overload may occur and the brush motor circuit breakers will trip, protecting the motor from damage. If this occurs frequently, avoid this high pressure setting or install the heavy duty scrub kit, P/N 56115458.
- 6 Use Solution Control Lever (E) to regulate the amount of solution being dispensed. Solution will only dispense while scrubbing.
EcoFlex models only: Use the Detergent Module (G, 7b) to regulate the amount of solution and detergent being dispensed.
- 7 Lower the squeegee with the Squeegee Raise / Lower Lever (30). Vacuum motor will turn on when squeegee is lowered and turn off when raised.
- 8 When the Drive Paddle (C, 23) is not being pressed or pulled and the machine is stationary the scrub, solution and detergent (EcoFlex models) systems will pause. Grip the Operator Control Handle (2) and press the Drive Paddle (C, 23) for forward direction or pull back on the Drive Paddle (C, 23) for reverse direction to resume scrubbing. For best results, move the machine at a slow walking speed.

CAUTION!

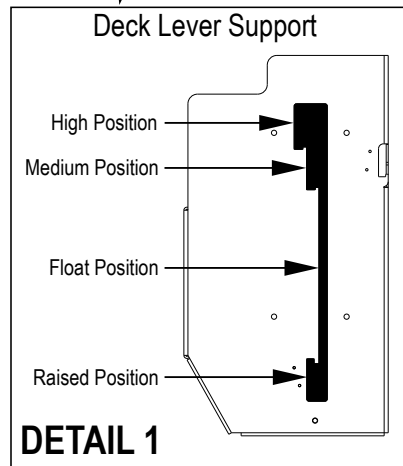
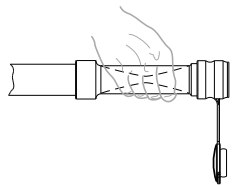
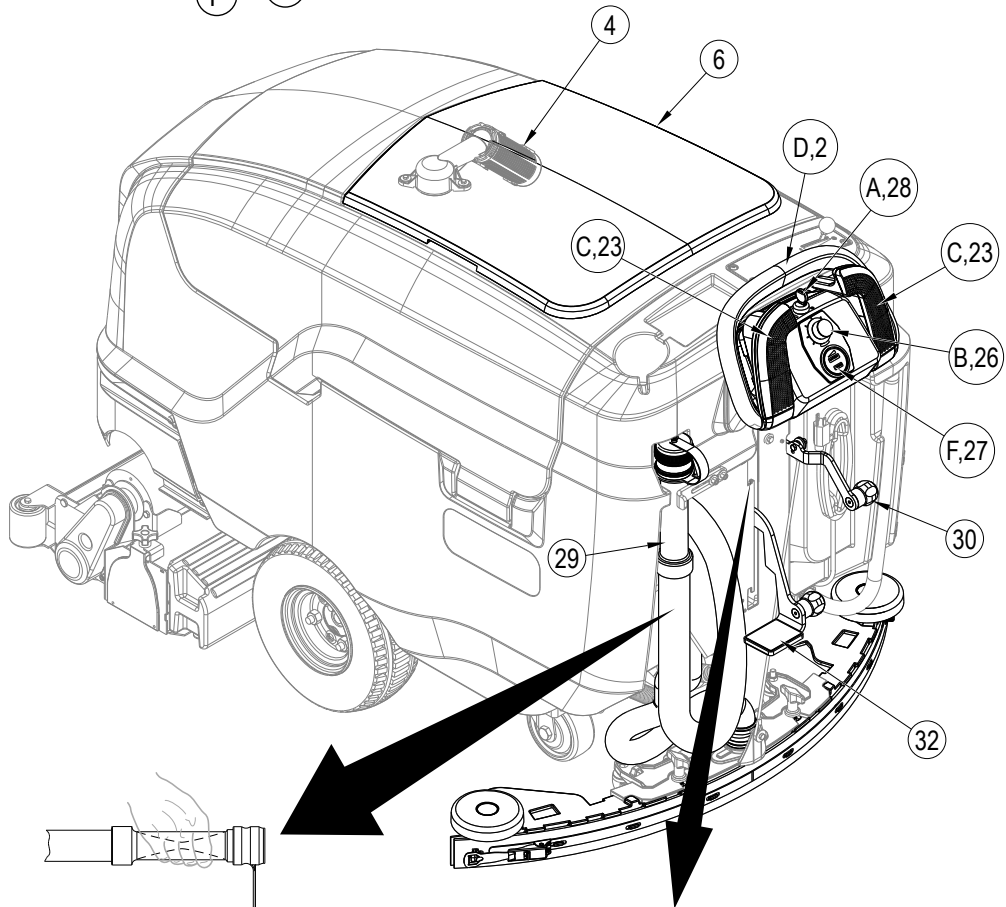
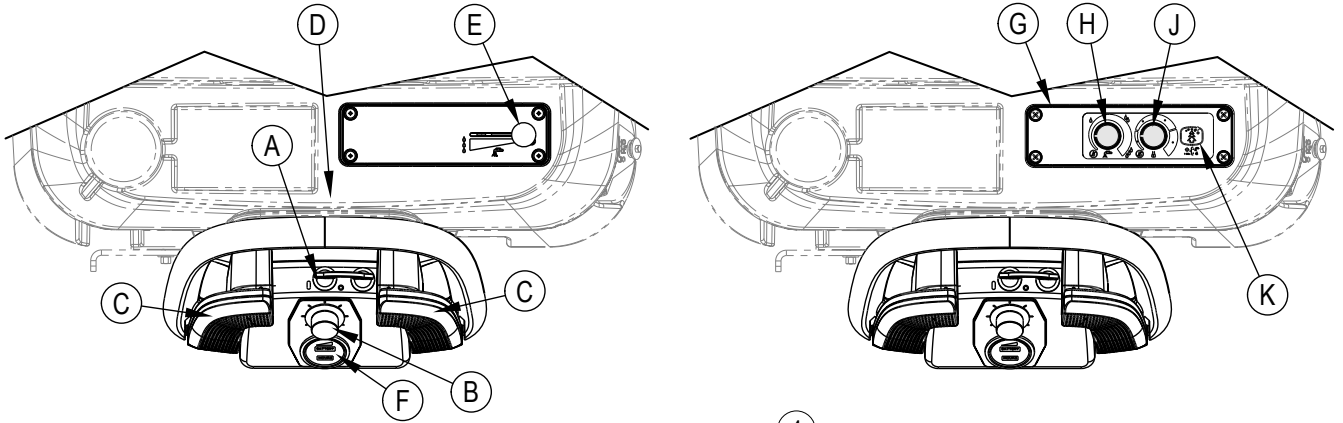
To avoid damaging the floor, keep the machine moving while the brushes are turning.

- 9 When scrubbing, check behind the machine occasionally to see that all of the waste water is being picked up. If there is water trailing the machine, you may be dispensing too much solution, the recovery tank may be full, or the squeegee tool may require adjustment.
- 10 For extremely dirty floors, a one-pass scrubbing operation may not be satisfactory and a “double-scrub” operation may be required. This operation is the same as a one-pass scrubbing except on the first pass the squeegee is in the up position. This allows the cleaning solution to remain on the floor to work longer. The final pass is made over the same area, with the squeegee lowered to pick up the accumulated solution.
- 11 The recovery tank has a shut-off float (4) that causes a change in pitch in the vac motor. When this float is activated, the recovery tank must be emptied. The machine will not pick up water with the float activated. **NOTE:** Empty the debris catch cage every time you drain the recovery tank.
- 12 When the operator wants to stop scrubbing or the recovery tank is full;
- 13 Raise the deck and lift the squeegee when all the water has been picked up.
- 14 Drive the machine to a designated wastewater “DISPOSAL SITE” and empty the recovery tank. To empty, pull the Recovery Tank Drain Hose (29) from its hanger and open the cap (hold the end of the hose above the water level in the tank to avoid sudden, uncontrolled flow of waste water). The Recovery Tank Drain Hose (29) can be squeezed to regulate the flow. Refill the solution tank and continue scrubbing.

NOTE: Make sure the Recovery Tank Cover (6) and the Recovery Tank Drain Hose (29) cap is properly seated or the machine will not pick-up water correctly. When the batteries require recharging the Battery / Hour Gauge (F, 27) flashes the 2nd LED from the left as a warning that the battery has discharged 70%. At 80% discharge, the display alternately flashes the left 2 LEDs to indicate very low capacity is remaining. At this level the scrub systems are disabled to protect the battery. The vacuum system will continue to operate to allow recovery of any solution remaining on floor. Transport the machine to a service area and recharge the batteries according to the instructions in the Battery section of this manual.

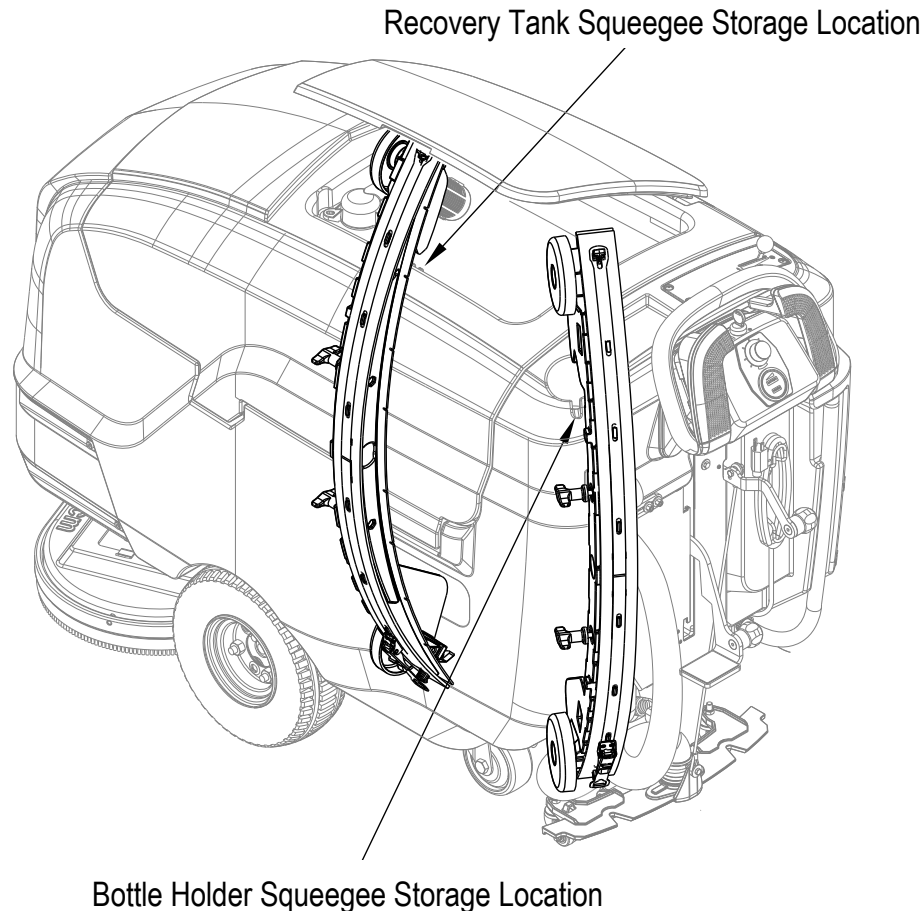
SERVICE NOTE: Refer to the service manual for detailed functional descriptions of all controls.

WET SCRUBBING



AFTER USE

- 1 Raise the brushes (or pads) and raise the squeegee. Move the machine to a service area.
- 2 Turn the Master Key Switch **(A)** OFF and remove the key.
- 3 To empty the solution tank, pull the Solution Drain Hose **(31)** off the upper connector. Direct the hose to a floor drain or bucket. Rinse the tank with clean water. Inspect the solution hoses; replace if kinked or damaged.
- 4 To empty the recovery tank, remove the Recovery Tank Drain Hose **(29)** from its hanger and remove the cap (hold the end of the hose above the water level in the tank to avoid sudden, uncontrolled flow of waste water). The Recovery Tank Drain Hose **(29)** can be squeezed to regulate the flow. Rinse the recovery tank and shut-off float **(4)** with clean water. Inspect the recovery and vacuum hoses; replace if kinked or damaged.
- 5 Remove the brushes or pad holders. Rinse the brushes or pads with warm water and hang up to dry. Allow buffing pads to dry completely before using again. **NOTE:** You need to remove the brushes manually for all **SC901 models**).
- 6 Remove the squeegee, rinse it with warm water and hang it up to dry.
- 7 **See Figure 6.** Use the Recovery Tank or Bottle Holder storage locations to hang the squeegee from.
- 8 Check the maintenance schedule below and perform any required maintenance before storage.
- 9 Store the machine indoors in a clean dry place. Keep from freezing. Leave the tanks open to air them out.
- 10 Turn the Key Switch **(A)** OFF (O) and remove the key.
- 11 Batteries are the most expensive replacement item on this machine. To protect your investment and to get as many cycles from the batteries as possible, remember the following:
 - When installing batteries make certain the machine and charger is programed for the correct battery type.
 - Batteries will last longer if they are kept fully charged.
 - Batteries will prematurely fail if stored in a discharged state.
 - Battery chargers will not over or undercharge the batteries.
 - Every day after use, the battery charger must be plugged in and the charger must be allowed to run through a full charging sequence to fully charge the batteries. This may take 8-12 hours depending on the battery status.
 - Always have the charger plugged into an AC outlet if the machine will not be used for a longer period of time to keep the battery(s) charged.
 - There is no benefit to discharging to low levels. Do not skip charging because the batteries haven't been fully discharged.

FIGURE 6

MAINTENANCE SCHEDULE

MAINTENANCE ITEM	Daily	Weekly	Monthly	Yearly
Charge Batteries	X			
Check/Clean Tanks & Hoses	X			
Check/Clean the Brushes/Pads	X			
Check/Clean the Squeegee	X			
Check/Clean Vacuum Shut-Off Float	X			
Empty/Clean Debris Catch Tray in Recovery Tank	X			
Check Each Battery Cell(s) Water Level		X		
Inspect Scrub Housing Skirt		X		
Inspect and clean Solution Filter		X		
Purge Detergent System		X		
Lubrication of Machine			X	
* Check Carbon Brushes				X

* Have an Authorized Advance Service Center check the vacuum motor carbon motor brushes once a year or after 300 operating hours. The brush and drive motor carbon brushes should be checked every 500 hours or once a year.

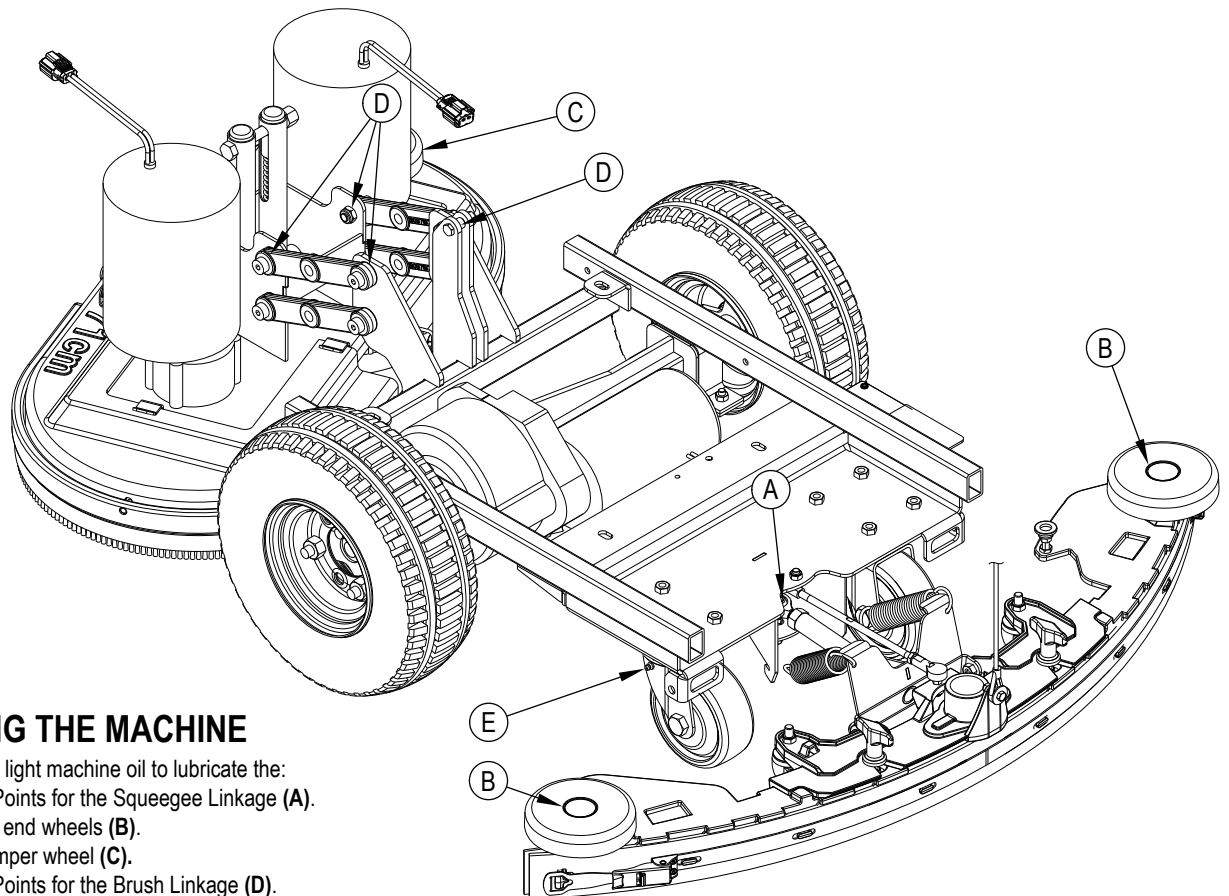
NOTE: Refer to the Service Manual for more detail on maintenance and service repairs.

SERVICING THE VACUUM MOTOR

Have your Advance Dealer check the carbon motor brushes once a year or after 300 operating hours.

IMPORTANT!

Motor damage resulting from failure to service the carbon brushes is not covered under warranty. See the Limited Warranty Statement.



LUBRICATING THE MACHINE

Once a month, apply light machine oil to lubricate the:

- General Pivot Points for the Squeegee Linkage (A).
- Squeegee Tool end wheels (B).
- Scrub deck bumper wheel (C).
- General Pivot Points for the Brush Linkage (D).

Once per quarter, Grease the following

- Rear Caster Wheel Swivels (E).

CHARGING WET BATTERIES

Charge the batteries each time the machine is used or when the Battery Indicator / Hour Gauge (F) is reading less than full.

WARNING!

Do not fill the batteries before charging.

Charge batteries in a well-ventilated area.

Do not smoke while servicing the batteries.

When Servicing Batteries...

- * Remove all jewelry
- * Do not smoke
- * Wear safety glasses, rubber gloves and a rubber apron
- * Work in a well-ventilated area
- * Do not allow tools to touch more than one battery terminal at a time
- * ALWAYS disconnect the negative (ground) cable first when replacing batteries to prevent sparks.
- * ALWAYS connect the negative cable last when installing batteries.

If your machine shipped **with** an onboard battery charger do the following:

Turn the Key Switch (A) OFF. Unwind the electrical cord from the side of the onboard charger and plug it into a properly grounded outlet. Refer to the OEM product manual for more detailed operating instructions.

If your machine shipped **without** an onboard battery charger do the following:

Disconnect the batteries from the machine and make sure you plug the connector from the charger into the Battery Pack Connector (15). Follow the instructions on the battery charger.

CAUTION!

To avoid damage to floor surfaces, wipe water and acid from the top of the batteries after charging.

CHECKING THE BATTERY WATER LEVEL

Check the water level of the batteries at least once a week.

After charging the batteries, remove the vent caps and check the water level in each battery cell. Use distilled or demineralized water in a battery filling dispenser (available at most auto parts stores) to fill each cell to the level indicator (or to 10 mm over the top of the separators). DO NOT over-fill the batteries!

CAUTION!

Acid can spill onto the floor if the batteries are overfilled.

Tighten the vent caps. Wash the tops of the batteries with a solution of baking soda and water (2 tablespoons of baking soda to 1 liter of water).

CHARGING GEL (VRLA) BATTERIES

Charge the batteries each time the machine is used or when the Battery Indicator / Hour Gauge (F) is reading less than full.

WARNING!

Charge batteries in a well-ventilated area.

Do not smoke while servicing the batteries.

When Servicing Batteries...

- * Remove all jewelry
- * Do not smoke
- * Wear safety glasses, rubber gloves and a rubber apron
- * Work in a well-ventilated area
- * Do not allow tools to touch more than one battery terminal at a time
- * ALWAYS disconnect the negative (ground) cable first when replacing batteries to prevent sparks.
- * ALWAYS connect the negative cable last when installing batteries.

CAUTION!

Your valve regulated lead acid (VRLA) battery will deliver superior performance and life ONLY IF IT RECHARGED PROPERLY! Under or overcharging will shorten battery life and limit performance. Be sure to FOLLOW PROPER CHARGING INSTRUCTIONS! DO NOT ATTEMPT TO OPEN THIS BATTERY! If a VRLA battery is opened, it loses its pressure and the plates become oxygen contaminated. THE WARRANTY WILL BE VOIDED IF THE BATTERY IS OPENED.

If your machine shipped **with** an onboard battery charger do the following:

Turn the Key Switch (A) OFF. Unwind the electrical cord from the side of the onboard charger and plug it into a properly grounded outlet. Refer to the OEM product manual for more detailed operating instructions.

If your machine shipped **without** an onboard battery charger do the following:

Disconnect the batteries from the machine and make sure you plug the connector from the charger into the Battery Pack Connector (15). Follow the instructions on the battery charger.

IMPORTANT: Make sure you have an appropriate charger for use on Gel cell batteries. Use only "voltage-regulated" or "voltage-limited" chargers. Standard constant current or taper current chargers MUST NOT be used. A temperature-sensing charger is recommended, as manual adjustments are never accurate and will damage any VRLA battery.

SERVICING THE SQUEEGEE

If the squeegee leaves narrow streaks or water, the blades may be dirty or damaged. Remove the squeegee, rinse it under warm water and inspect the blades. Reverse or replace the blades if they are cut, torn, wavy or worn.

To Reverse or Replace the Rear Squeegee Wiping Blade...

- 1 See Figure 7. Raise the squeegee tool off the floor, and then unsnap the Rear Squeegee Blade Removal Latch (37) on the squeegee tool.
- 2 Remove the Tension Strap (35).
- 3 Slip the rear blade off the Alignment Pins (36).
- 4 The squeegee blade has 4 working edges. Turn the blade so a clean, undamaged edge points toward the front of the machine. Replace the blade if all 4 edges are nicked, torn or worn to a large radius.
- 5 Install the blade, following the steps in reverse order and adjust the squeegee angle if needed.

To Reverse or Replace the Front Squeegee Blade...

- 1 Raise the squeegee tool off the floor, then loosen the (2) Thumb Nuts (33) on top of the squeegee tool. Disconnect the Recovery Hose (34) and remove the Squeegee Assembly (12) from the mount.
- 2 Loosen the Front Squeegee Blade Removal Knob (AA), and then remove Tension Strap (AB) and blade.
- 3 The squeegee blade has 4 working edges. Turn the blade so a clean, undamaged edge points toward the front of the machine. Replace the blade if all 4 edges are nicked, torn or worn to a large radius.
- 4 Install the blade, following the steps in reverse order and adjust the squeegee angle if needed.

ADJUSTING THE SQUEEGEE

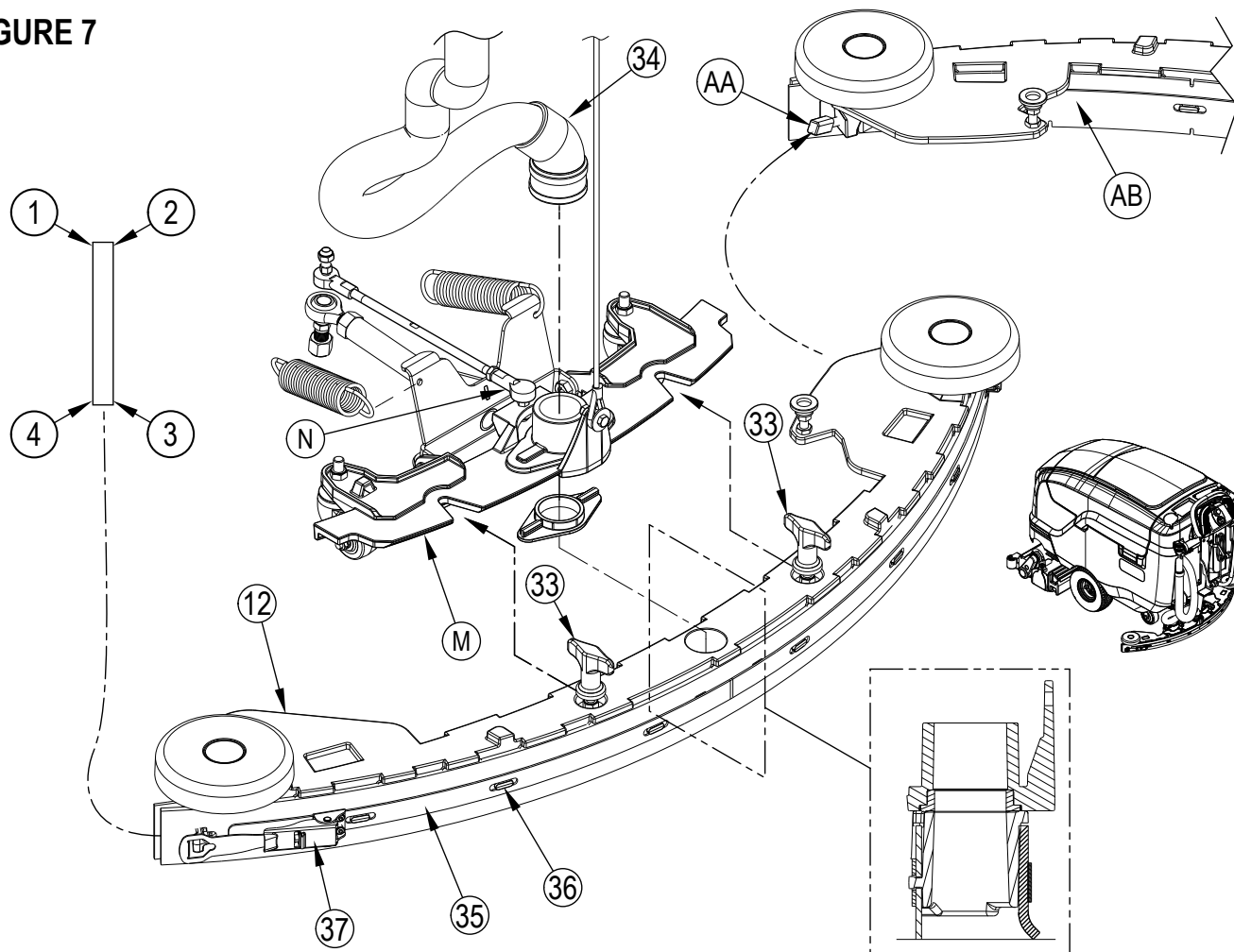
Adjust the squeegee angle whenever a blade is reversed or replaced, or if the squeegee is not wiping the floor dry.

To Adjust the Squeegee Angle...

- 1 Park the machine on a flat, even surface and lower the squeegee.
- 2 The Squeegee Mount Bracket (M) has a factory set position so that the rear squeegee blade touches the floor evenly across its entire width and is bent over slightly as shown.

NOTE: A service technician can adjust the Turnbuckle Assembly (N) to change the squeegee angle if needed.

FIGURE 7



GENERAL MACHINE TROUBLESHOOTING

Problem	Possible Cause	Remedy
Poor water pick-up	Worn or torn squeegee blades	Reverse or replace
	Squeegee out of adjustment	Adjust so blades touch floor evenly across entire width
	Squeegee seal clogged or missing	Clean or replace squeegee seal
	Recovery tank full	Empty recovery tank
	Recovery tank drain hose leak	Secure drain hose cap or replace
	Recovery tank cover gasket leak	Replace gasket / Seat cover properly
	Debris caught in squeegee	Clean squeegee tool
	Vacuum hose clogged	Remove debris
	Using too much solution	Adjust solution flow at control panel
	Debris catch cage full	Empty debris catch cage
Poor scrubbing performance	Worn brush or pad	Rotate or replace brushes
	Wrong brush or pad type	Consult Advance
	Wrong cleaning chemical	Consult Advance
	Moving machine too fast	Slow down
	Not using enough solution	Increase solution flow at control panel
Inadequate solution flow or no solution	Solution tank empty	Fill solution tank
	Solution lines, valves, filter or trough clogged	Flush lines, trough and clean solution filter
	Solution shutoff valve closed	Open solution shutoff valve
	Solution solenoid valve	Clean or replace valve
Machine does not run	Battery connector disconnected	Reconnect battery connectors
	Tripped 2.5 Amp circuit breaker	Check for electrical short circuit & reset
No FWD/REV wheel drive	Drive system speed controller	Check error fault codes (see service manual)
	Tripped 30 Amp circuit breaker	Check for drive motor overload
Poor Sweeping Performance (Cylindrical System)	Hopper Full	Empty and clean hopper
	Brushes worn	Replace brushes
	Bristles have taken a set	Rotate brushes
No Detergent Flow (EcoFlex models only)	Empty detergent cartridge	Fill detergent cartridge
	Plugged or kinked detergent flow line	Purge system, straighten lines to remove any kinks
	Dry seal cap on detergent cartridge not sealed	Reseat dry seal cap
	Detergent pump wiring disconnected or backwards	Connect or reconnect wiring

TECHNICAL SPECIFICATIONS (as installed and tested on the unit)

Model		Advance SC901 ST 28D	Advance SC901 ST 34D	Advance SC901 ST 32C
Model No.		56115530	56115531	56115532
Voltage, Batteries	V	36	36	36
Battery Capacity	Ah	310	310	310
Protection Grade		IPX4	IPX4	IPX4
S P L IEC 60335-2-72: 2002 Amend. 1:2005, ISO 11201	dB(A)/20 μ Pa	68	68	69
S P L – KpA (IEC 60335-2-72, ISO 11201) Uncertainty	dB(A)	\pm 3.0	\pm 3.0	\pm 3.0
Vibrations at the Hand Controls (ISO 5349-1)	m/s ²	< 2.5	< 2.5	< 2.5
Maximum Wheel Floor Loading (right front)	psi N/mm ²	147 / 1.0	128 / 0.89	155 / 1.1
Maximum Wheel Floor Loading (left front)	psi N/mm ²	107 / 0.74	132 / 1.0	128 / 0.88
Maximum Wheel Floor Loading (right rear)	psi N/mm ²	205 / 1.4	432 / 3.0	245 / 1.7
Maximum Wheel Floor Loading (left rear)	psi N/mm ²	521 / 5.6	640 / 4.4	416 / 2.9
Machine Width (chassis)	inch / cm	30.3" / 77.0	30.3" / 77.0	30.6" / 77.7
Machine Width with Squeegee	inch / cm	41.8" / 106.2	41.8" / 106.2	41.8" / 106.2
Machine Height	inch / cm	44.8"		
Machine Length	inch / cm	65.4" / 166	67.4" / 171	63.1" 160.3
Solution Tank Capacity	Gallon / L	30 / 113.6		
Recovery Tank Capacity	Gallon / L	32 / 121		
Battery Compartment Size (approximate)				
Height (maximum)	inch / cm	15 / 38		
Width (maximum)	inch / cm	26 / 66		
Length (maximum)	inch / cm	27.5 / 70		
Scrub brush size				
Outside Scrub Brush Diameter - Cylindrical (inside core is x in / x.x cm)	inch / cm	-	-	5.5" 13,9cm
Scrub Brush Length - Cylindrical (two brushes per machine)	inch / cm	-	-	31" 78,7cm
Brush Diameter – Disc (two brushes per machine)	inch / cm	14" 35,5cm	17" 43,1cm	-
Scrub Brush Speed	RPM	250	250	900
Cleaning Path Width (scrubbing path)	inch / cm	28" 71,1cm	34" 86,3cm	31" 78,7cm
Gross Weight*	lbs/kg	1189 Lbs. 539,3kg	1205.5 Lbs. 546,8kg	1235 Lbs. 560,2kg
Vacuum Motor Size - 710 watts max	HP	0.95		
Drive Motor Size	HP	.5		
Disc Brush Motor Size	HP	0.75	0.75	-
Cylindrical Motor Size	HP	-	-	0.75
Brush Pressure	lbs/kg	90 Lbs. 41kg 145 Lbs. 65kg 200 Lbs. 90kg	90 Lbs. 41kg 145 Lbs. 65kg 200 Lbs. 90kg	75 Lbs. 34kg 100 Lbs. 45kg 125 Lbs. 56kg
Maximum Scrub Speed		3.2	3.2	3.2
Maximum Transport Speed		3.2	3.2	3.2
Transport Weight** (with squeegee and brush deck)	lbs/kg	942	979	1006
Gradeability Transport		2% (1.15 ^o)	2% (1.15 ^o)	2% (1.15 ^o)
Gradeability Cleaning		2% (1.15 ^o)	2% (1.15 ^o)	2% (1.15 ^o)

*Gross Weight: Standard machine without options, full solution tank and empty recovery tank, with removable scrub brushes and 310 AH batteries installed.

**Transportation Weight: Standard machine without options, empty solution and recovery tanks, with batteries installed and no operator.

MATERIAL COMPOSITION

<u>Material Composition and Recyclability</u>		
Type	% of machine weight	% recyclable
Aluminum	5%	100%
Electrical / motors / engines - misc	20%	25%
Ferrous metals	20%	100%
Harnesses / cables	3%	75%
Liquids	0%	0%
Plastic - non-recyclable	3%	0%
Plastic - recyclable	3%	100%
Polyethylene	39%	100%
Rubber	8%	34%

ÍNDICE**Página**

Introducción	B-3
Partes y servicio	B-3
Placa nominal	B-3
Desembalaje de la máquina	B-3
Precauciones y advertencias.....	B-4
Conozca su máquina.....	B-6 – B-7
Panel de control.....	B-8
Panel de control – EcoFlex™	B-8
Preparar la máquina para el uso	
Baterías	B-9 – B-10
Instalación de los cepillos.....	B-11 – B-12
Llenado del tanque de solución.....	B-13
Instalación del limpiador	B-13
Sistema de detergente (EcoFlex™)	B-14 – B-15
Operación de la máquina	
Lavado húmedo.....	B-16 – B-17
Después de usar la máquina.....	B-18
Programa de mantenimiento	B-19
Dar servicio al Motor de aspiración	B-19
Lubricación de la máquina.....	B-19
Mantenimiento	
Carga de baterías (Mojado).....	B-20
Carga de baterías (Gel).....	B-20
Dar servicio al limpiador	B-21
Ajuste del limpiador	B-21
Solución de problemas	B-22
Especificaciones técnicas.....	B-23
Composición material	B-24

INTRODUCCIÓN

Este manual le ayudará a sacar el mayor provecho de su lavador/secador automático **Advance™**. Léalo por completo antes de operar la máquina.

Nota: Los números en negrillas y entre paréntesis indican una partida que se ilustra en las páginas B-6 y B-8, a menos que se indique lo contrario.

Este producto es solo para uso comercial.

PARTES Y SERVICIO

Cuando se requieran reparaciones, deberá hacerlas en su Centro de servicio autorizado Advance, que emplea personal de servicio que ha sido capacitado en la fábrica y mantiene un inventario de refacciones y accesorios genuinos de Advance.

Para refacciones o servicio llame a Advance. Cuando llame especifique el Modelo y Número de serie de su máquina.

MODIFICACIONES

Las modificaciones o añadiduras que alteren la capacidad de la máquina limpiadora y su seguridad de operación, no podrá hacerlas el cliente ni el usuario sin la aprobación por escrito de Nilfisk Inc. Las modificaciones no autorizadas invalidarán la garantía de la máquina y el cliente será responsable de cualquier accidente que resulte.

PLACA NOMINAL

El Número de modelo (También conocido como Número de parte) y Número de serie de su máquina aparecen en la Placa Nominal, dentro del compartimiento de la batería. Esta información se necesita al pedir partes de repuesto para la máquina. Use el siguiente espacio para anotar el Número de parte y Número de serie de su máquina para futura referencia.

NÚM. DE PARTE _____

NÚM. DE SERIE _____

DESEMBALAJE DE LA MÁQUINA

Cuando le entreguen la máquina, revise cuidadosamente si el empaque de embalaje o la máquina están dañados. Si el daño es evidente, guarde el cartón de empaque (de ser aplicable) para que pueda ser inspeccionado. Contacte de inmediato al Departamento de servicio al Cliente de Advance para presentar un reclamo por daños de transporte. Consulte la hoja de instrucciones de desempaque que viene con la máquina para quitarla de su tarima.

NORMATIVA

FCC:

Este dispositivo cumple con la sección 15 de las normas FCC. El funcionamiento está sujeto a las dos condiciones siguientes: (1) Este dispositivo no debe causar interferencias perjudiciales, y (2) este dispositivo debe aceptar cualquier interferencia recibida, incluidas las interferencias que puedan provocar un funcionamiento indeseado.

Los usuarios no están autorizados a realizar cambios o modificar el dispositivo en ningún modo. Los cambios o modificaciones no aprobados expresamente por Nilfisk, Inc. invalidarán la autoridad del usuario para operar el equipo.

IC:

Este dispositivo cumple con del Ministerio de la industria de Canadá ICES-002. El funcionamiento está sujeto a las dos condiciones siguientes: (1) Este dispositivo no debe causar interferencias perjudiciales, y (2) este dispositivo debe aceptar cualquier interferencia que pueda provocar un funcionamiento indeseado del dispositivo.

PRECAUCIONES Y ADVERTENCIAS

SÍMBOLOS

Advance usa los siguientes símbolos para indicar situaciones potencialmente peligrosas. Lea cuidadosamente esta información y adopte las medidas necesarias para proteger al personal y las propiedades.

¡PELIGRO!

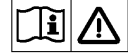
Se usa para advertir de peligros inmediatos que causarán graves lesiones personales o la muerte.

¡ADVERTENCIA!

Se usa para llamar la atención sobre una situación que podría causar graves lesiones personales.

¡PRECAUCIÓN!

Se usa para llamar la atención sobre una situación que podría causar lesiones personales menores o daños a la máquina u otras propiedades.



Lea todas las instrucciones ante de usarla.

INSTRUCCIONES GENERALES DE SEGURIDAD

Incluye Precauciones y Advertencias específicas para advertirle sobre peligros potenciales de daño a la máquina, o lesiones corporales. Esta máquina es para uso comercial, por ejemplo en hoteles, fábricas, talleres y oficinas. No es para fines de aseo doméstico normal en casas.

¡ADVERTENCIA!

- Esta máquina solo debe ser usada por personas debidamente capacitadas y autorizadas.
- Esta máquina no está diseñada para ser usada por personas (incluyendo niños) con capacidades disminuidas, tanto físicas, como sensoriales o mentales, ni carentes de experiencia o conocimientos, a menos que una persona responsable de su seguridad les haya dado instrucciones o les supervise en el uso de la máquina.
- Se debe vigilar a los niños para asegurarse de que no jueguen con la máquina.
- Cuando la máquina se usa cerca de donde hay niños se debe prestar mucha atención.
- Evite las paradas repentinas al estar en rampas o planos inclinados. Evite dar vueltas cerradas de manera abrupta. Use la velocidad lenta a bajar rampas.
- Mantenga las chispas, flamas y materiales humeantes lejos de las baterías. Los gases explosivos se ventilan durante la operación normal.
- Al cargar las baterías se produce gas de hidrógeno altamente explosivo. Cargue las baterías solo en áreas bien ventiladas, lejos de la flama abierta. No fume mientras carga las baterías.
- Quítese todos los accesorios de joyería cuando trabaje cerca de componentes eléctricos.
- Mueva el interruptor de llave a la posición de apagado (O) y desconecte las baterías antes de dar servicio a componentes eléctricos.
- Nunca trabaje debajo de una máquina sin colocar bloques o soportes de seguridad para soportar la máquina.
- No utilice agentes de limpieza inflamables, ni opere la máquina cerca o sobre estos agentes, ni opere en áreas donde existan líquidos inflamables.
- No limpie esta máquina con un lavador a presión.
- Utilice únicamente los cepillos provistos junto con el aparato o los especificados en el instructivo. El uso de otros cepillos podrá menoscabar la seguridad.
- Observe el Peso en Bruto de Vehículo (GVW, por sus siglas en Inglés) de la máquina al cargarla, conducirla, levantarla o soportarla.

PRECAUCIONES Y ADVERTENCIAS - CONTINUACIÓN

¡PRECAUCIÓN!

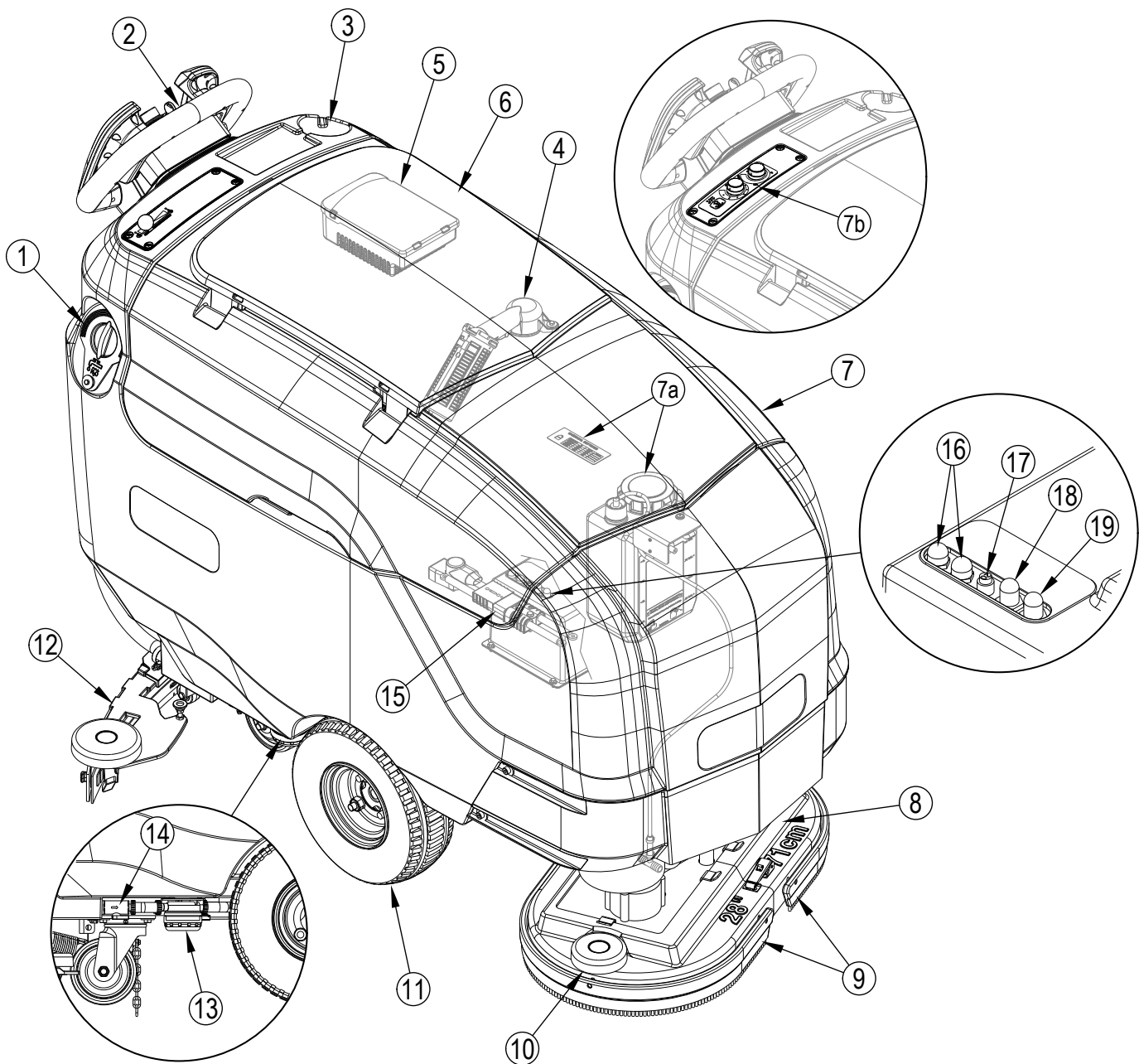
- Esta máquina no está aprobada para su uso en pasillos públicos o vialidades.
- Esta máquina no está preparada para levantar polvo peligroso.
- Tenga cuidado al usar discos escarificadores y piedras de esmeril. Advance no se hará responsable por cualquier daño a superficies de piso ocasionado por escarificadores o piedras de esmeril.
- Al operar esta máquina, cerciórese de que terceros, especialmente niños, no estén en peligro.
- Antes de llevar a cabo cualquier función de servicio, lea cuidadosamente todas las instrucciones correspondientes a esa función.
- No deje la máquina desatendida sin haber colocado el interruptor de llave en posición de apagado (O), sin haber retirado la llave ni haber asegurado la máquina.
- Coloque el interruptor de llave en la posición de apagado (O) y retire la llave, antes de cambiar los cepillos, y antes de abrir cualquier panel de acceso.
- Tome las precauciones para evitar que el cabello, accesorios o ropa suelta, queden atrapados en partes móviles.
- Tenga cuidado al mover esta máquina en temperaturas inferiores a la de congelación. Cualquier cantidad de agua en la solución, tanques de recuperación o de detergente, o en las mangueras, se podría congelar, ocasionando daños a las válvulas y conexiones. Desagüe con fluido limpiaparabrisas.
- Se deben retirar las baterías de la máquina antes de desechar la máquina. Las baterías deben desecharse de forma segura, conforme a las regulaciones ambientales de su localidad.
- No utilizarla en superficies con una pendiente que exceda la especificada en la máquina.
- Todas las puertas y cubiertas deben colocarse como indica el instructivo antes de usar la máquina.
- Consulte el manual del «Fabricante original» (OEM, en inglés) del cargador de baterías para ver advertencias específicas adicionales sobre el cargador.

CONSERVE ESTAS INSTRUCCIONES

CONOZCA SU MÁQUINA

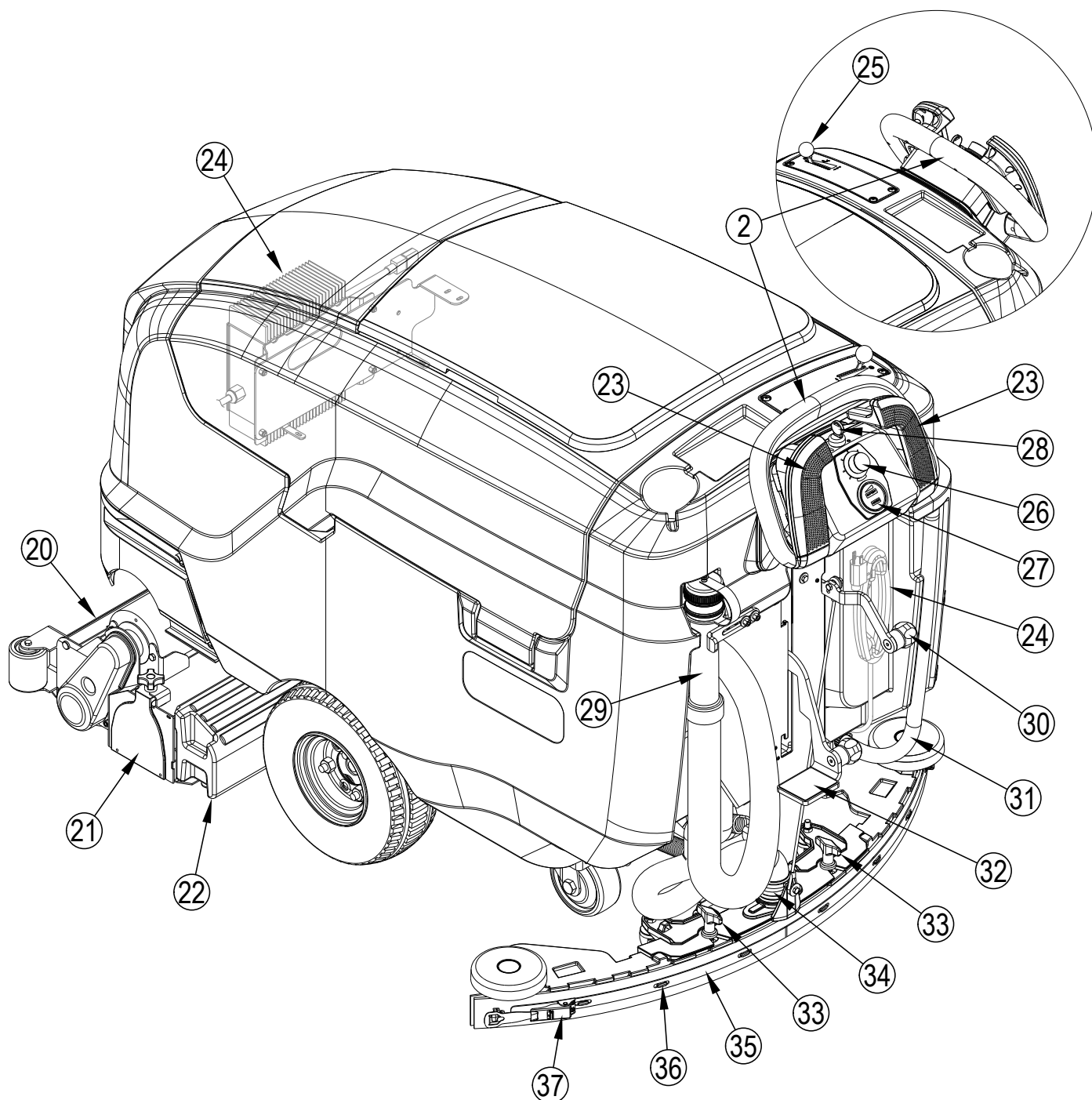
Conforme lea este manual, va a encontrar ocasionalmente en negritas un número o letra entre paréntesis, por ejemplo: **(2)**. Estos números se refieren a un artículo mostrado en estas páginas a menos que se advierta lo contrario. Vuelva a consultar estas páginas cuando sea necesario para ubicar un artículo mencionado en el texto. **NOTA:** Consulte el manual de servicio para ver explicaciones detalladas de cada artículo ilustrado en las siguientes 3 páginas.

- | | | | |
|----|--|----|--|
| 1 | Llenado del tanque de solución | 10 | Rueda de tope de Cubierta de lavado |
| 2 | Mando de control del operador | 11 | Rueda de impulso |
| 3 | Sujetador de botellas / ubicación del colgador del limpiador | 12 | Conjunto del limpiador |
| 4 | Flotador de apagado del motor de aspiración | 13 | Filtro de solución |
| 5 | Charola de escombros | 14 | Válvula de cierre de solución |
| 6 | Tapa del tanque de recuperación | 15 | Conector de paquete de baterías |
| 7 | Tanque de recuperación (Cubierta del acceso al cartucho de detergente) | 16 | Cortacircuitos del motor del cepillo (30 Amp) |
| 7a | Cartucho de detergente (Únicamente modelos EcoFlex) | 17 | Cortacircuitos del ventilador de aspiración (20 Amp) |
| 7b | Módulo de detergente (Únicamente modelos EcoFlex) | 18 | Cortacircuitos de la rueda de impulso (30 Amp) |
| 8 | Cubierta de lavado (Modelos de disco) | 19 | Cortacircuitos del Interruptor de llave (2.5 Amp) |
| 9 | Alojamientos de cepillo (Incluye Faldón de cerdas) | | |



CONOZCA SU MÁQUINA

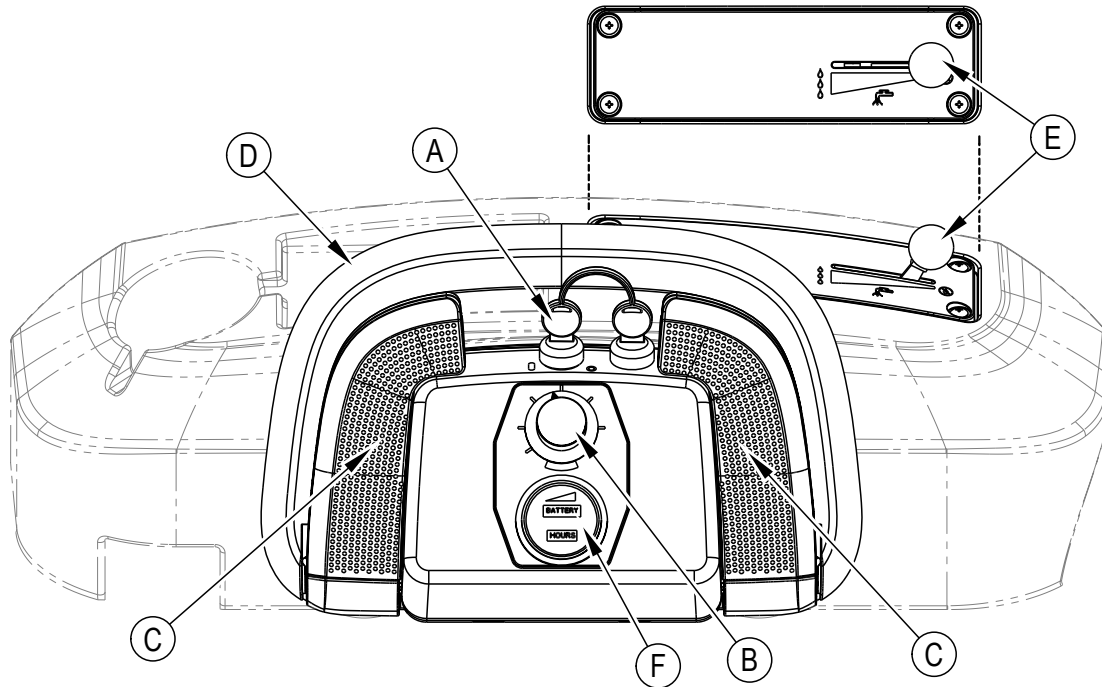
- | | | | |
|----|--|----|--|
| 2 | Mando de control del operador | 29 | Manguera de drenado del tanque de recuperación |
| 20 | Múltiple de solución (Únicamente modelos cilíndricos) | 30 | Palanca para elevar y bajar el limpiador |
| 21 | Conjunto del rodillo (Únicamente modelos cilíndricos) | 31 | Manguera de drenado de solución / Indicador de nivel |
| 22 | Tolva para escombros (Únicamente modelos cilíndricos) | 32 | Palanca para elevar y bajar cubierta de limpieza |
| 23 | Palanca de dirección hacia adelante/hacia atrás | 33 | Tuerca mariposa de montaje del limpiador |
| 24 | Cargador de baterías abordo (No se encuentra en todos los modelos) | 34 | Manguera de recuperación |
| 25 | Control de solución | 35 | Tirante de la hoja del limpiador |
| 26 | Perilla de control de límite de velocidad | 36 | Pines de alineación de la hoja del limpiador |
| 27 | Medidor de horas de batería | 37 | Pestillo de la hoja del limpiador |
| 28 | Interruptor de llave a prueba de agua | | |



PANEL DE CONTROL

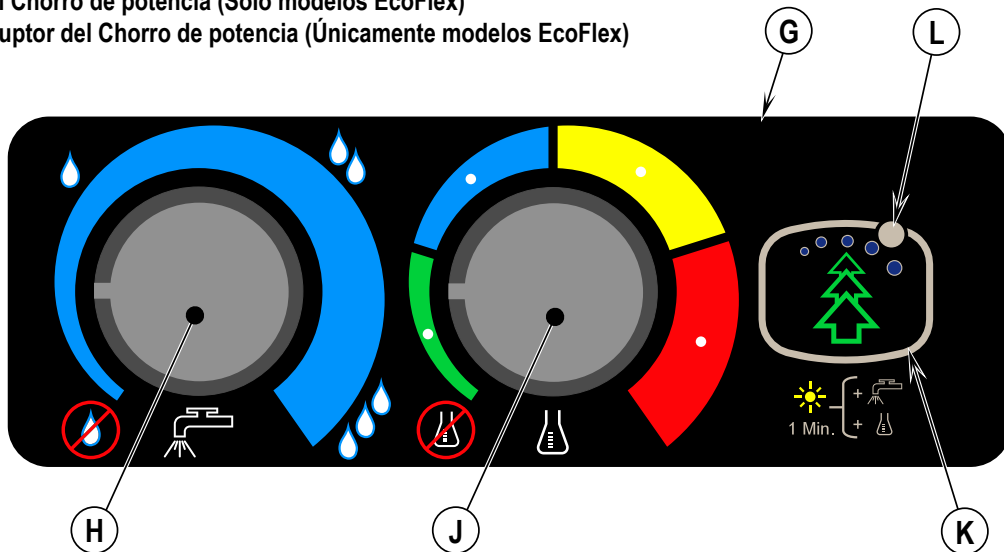
- A Interruptor de llave (Alimentación principal)
- B Perilla de control de velocidad
- C Palanca de dirección hacia adelante/hacia atrás
- D Asa de control del operador
- E Control de solución (Modelos ST)
- F Batería / Medidor de horas

El medidor de horas no-reinicial muestra el total de horas de servicio acumuladas en los motores limpiadores hasta 99,999 horas. El símbolo del reloj de arena parpadea on/off para indicar el conteo de tiempo.



PANEL DE CONTROL: ECOFLEX

- G Módulo de detergente (Solo modelos EcoFlex)
- H Perilla de control del flujo de solución (Solo modelos EcoFlex)
- J Perilla de control del sistema de detergente (Solo modelos EcoFlex)
- K Interruptor del Chorro de potencia (Solo modelos EcoFlex)
- L LED del interruptor del Chorro de potencia (Únicamente modelos EcoFlex)



BATERÍAS

Si su máquina fue embarcada con las baterías instaladas haga lo siguiente:

- Revise que las baterías estén conectadas a la máquina (15).

Coloque el Interruptor de llave en ON (A) y revise la Batería / Medidor de horas (F). La capacidad de carga de la batería se indica con una barra de 10 segmentos de LED que van desde lleno (se prende el LED rojo a la derecha) hasta a vacío (se prende el LED verde a la izquierda). La alerta "LED Flash Alert™" hace parpadear el 2° LED de izquierda a derecha, para advertir que la batería se ha descargado 70%.

Cuando la descarga llega al 80%, la alerta LED Flash Alert™ parpadea alternadamente los 2 LED de la izquierda para indicar que queda muy poca capacidad. A este nivel de carga los sistemas de limpieza se desactivan para proteger la batería. El sistema de aspiración continuará operando para permitir la recuperación de cualquier cantidad de solución que quede en el suelo.

- **¡IMPORTANTE!** : LAS BATERÍAS DEBEN ESTAR TOTALMENTE CARGADAS ANTES DE CADA USO. VEA LA SECCIÓN DE «CARGA DE BATERÍAS»
- **¡IMPORTANTE!** : SI SU MÁQUINA TIENE UN CARGADOR DE BATERÍAS ABORDO, CONSULTE EL «MANUAL DEL FABRICANTE ORIGINAL» (OEM, en inglés) PARA RECIBIR INSTRUCCIONES DE CÓMO AJUSTAR EL CARGADOR PARA CADA TIPO DE BATERÍA.

Si su máquina fue embarcada sin baterías instaladas haga lo siguiente:

- Consulte las baterías recomendadas con su distribuidor autorizado de Advance.
- Instale las baterías con las siguientes instrucciones.
- **NO instale tres baterías de 12 voltios en su máquina. Esto afecta la estabilidad de la máquina.**
- **¡IMPORTANTE!** : SI SU MÁQUINA TIENE UN CARGADOR DE BATERÍAS ABORDO, CONSULTE EL «MANUAL DEL FABRICANTE ORIGINAL» (OEM, en inglés) PARA RECIBIR INSTRUCCIONES DE CÓMO AJUSTAR EL CARGADOR PARA CADA TIPO DE BATERÍA.



¡ADVERTENCIA!

Extreme precauciones al trabajar con baterías. Las baterías de ácido sulfúrico pueden causar heridas graves si se permite que entren en contacto con la piel o los ojos. El gas explosivo de hidrógeno se ventila desde las baterías a través de las aperturas en las tapas de las baterías. Este gas se puede encender con cualquier arco eléctrico, chispa o flama. No instale ninguna batería de ácido de plomo en un contenedor o gabinete. Se debe permitir la salida del gas de hidrógeno producido durante de una sobrecarga.

Al dar servicio a las baterías...

- * Qúitese todo accesorio
- * No fume
- * Lleve lentes de seguridad, guantes y mandil de hule
- * Trabaje en un área bien ventilada
- * No permita que las herramientas toquen más de una terminal de batería a la vez
- * SIEMPRE desconecte primero el cable negativo (tierra) al reemplazar las baterías, para evitar chispas.
- * SIEMPRE conecte al último el cable negativo al instalar las baterías.



¡PRECAUCIÓN!

Los componentes eléctricos en esta máquina se pueden dañar severamente si las baterías no están instaladas ni conectadas adecuadamente. Advance, un electricista calificado, o el fabricante de la batería deberá instalar las baterías.

Al cambiar las baterías o el cargador, contacte al centro de servicio autorizado de su localidad para ajustar correctamente la batería, el cargador y la máquina, para evitar dañar las baterías.

BATERÍAS (CONTINUÍA)

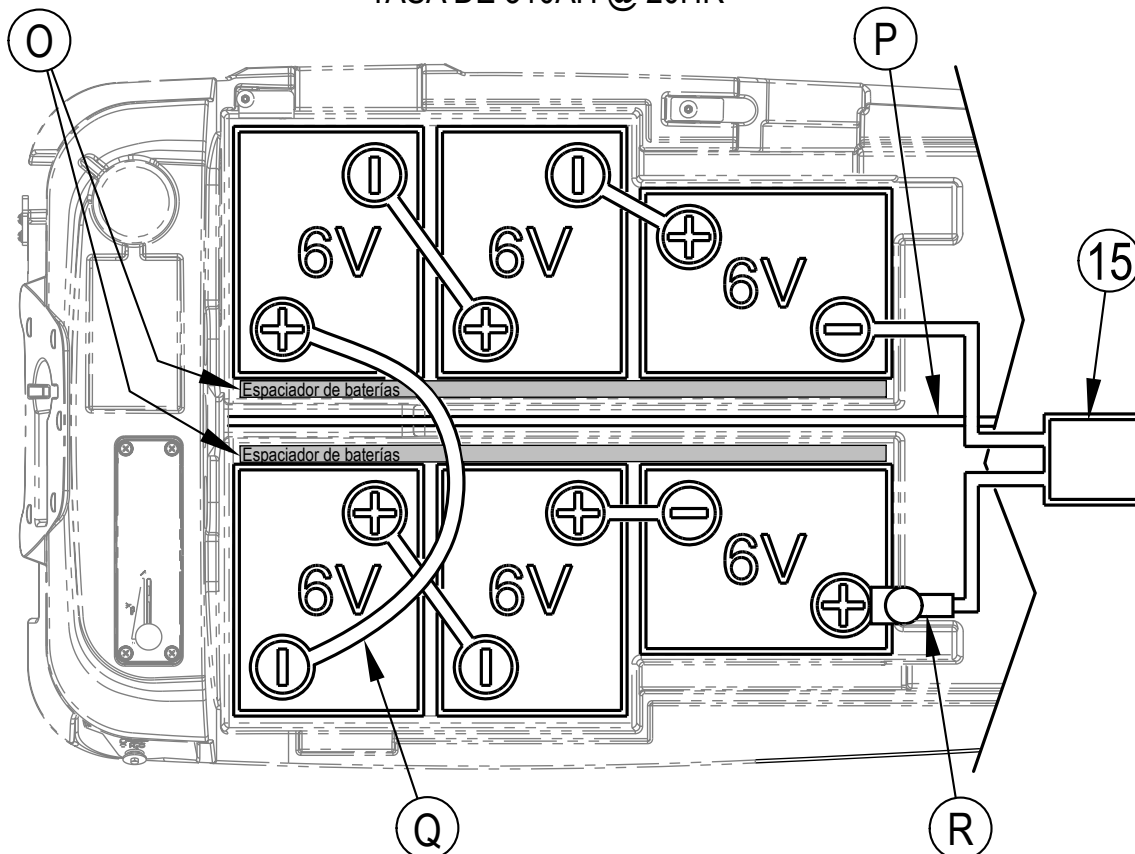
- 1 Retire las baterías de su empaque de embarque e inspecciónelas cuidadosamente en busca de roturas u otro daño. Si hay evidencias de daño, contacte al transportista que las entrego o al fabricante de las baterías para presentar una queja por daño.
- 2 Coloque el Interruptor de llave maestro en **(A)** OFF y retire la llave.
- 3 Incline el tanque de recuperación hacia un lado, posición asegurada. Retire los cables de la batería del interior del compartimiento de la batería.
- 4 Su máquina viene de la fábrica con suficientes cables de batería para instalar seis baterías de 6 voltios. Suba cuidadosamente las baterías dentro del compartimiento y colóquelas exactamente como se muestra en la **Figura 1**. Asegure las baterías tan cerca como sea posible de la parte posterior de la máquina.
NOTA: Los espaciadores de baterías **(O)** necesitan instalarse entre el fondo de las baterías y la pared corta en el fondo del tanque para crear más espacio entre las baterías y evitar que el Brazo de la Palanca de Cubierta **(P)** golpee las baterías.
- 5 Instale los cables de las baterías tal como se muestra. Coloque los cables de manera que las tapas de las baterías se puedan retirar fácilmente para dar servicio. Para prevenir interferencia, mande el cable **(Q)** por arriba del Brazo de la Palanca de Cubierta **(P)** como se muestra en la **Figura 1**.

¡IMPORTANTE! Las tapas protectoras suministradas con las baterías necesitan dejarse encima o volver a usarse para cubrir por completo la porción de las terminales de la batería que no estén protegidas por los capuchones de las terminales de cables de batería, mismos que se suministraron con los cables de la batería. Esto también aplica al capuchón de retención del fusible en serie.

- 6 Apriete cuidadosamente la tuerca en cada terminal de batería hasta que la terminal no gire. No apriete de más las terminales, o será muy difícil removerlas para futuro servicio.
- 7 Recubra las terminales con recubrimiento de espray para terminales de baterías (disponible en la mayoría de las tiendas de auto partes).
- 8 Coloque uno de los capuchones de hule para cubierta de terminales sobre cada una de las terminales y conecte el Conector del Paquete de Baterías **(15)**.
- 9 Cerciórese de que el capuchón de retención de fusibles **(R)** cubra lo más que se pueda del retenedor de fusibles, la punta del cable del Conector del Paquete de Baterías **(15)** y la terminal de baterías. Deje en su lugar las tapas protectoras suministradas con las baterías, o vuelva a usarlas para cubrir las áreas de las terminales que no estén protegidas por los capuchones de las terminales.

FIGURA 1

TASA DE 310AH @ 20HR



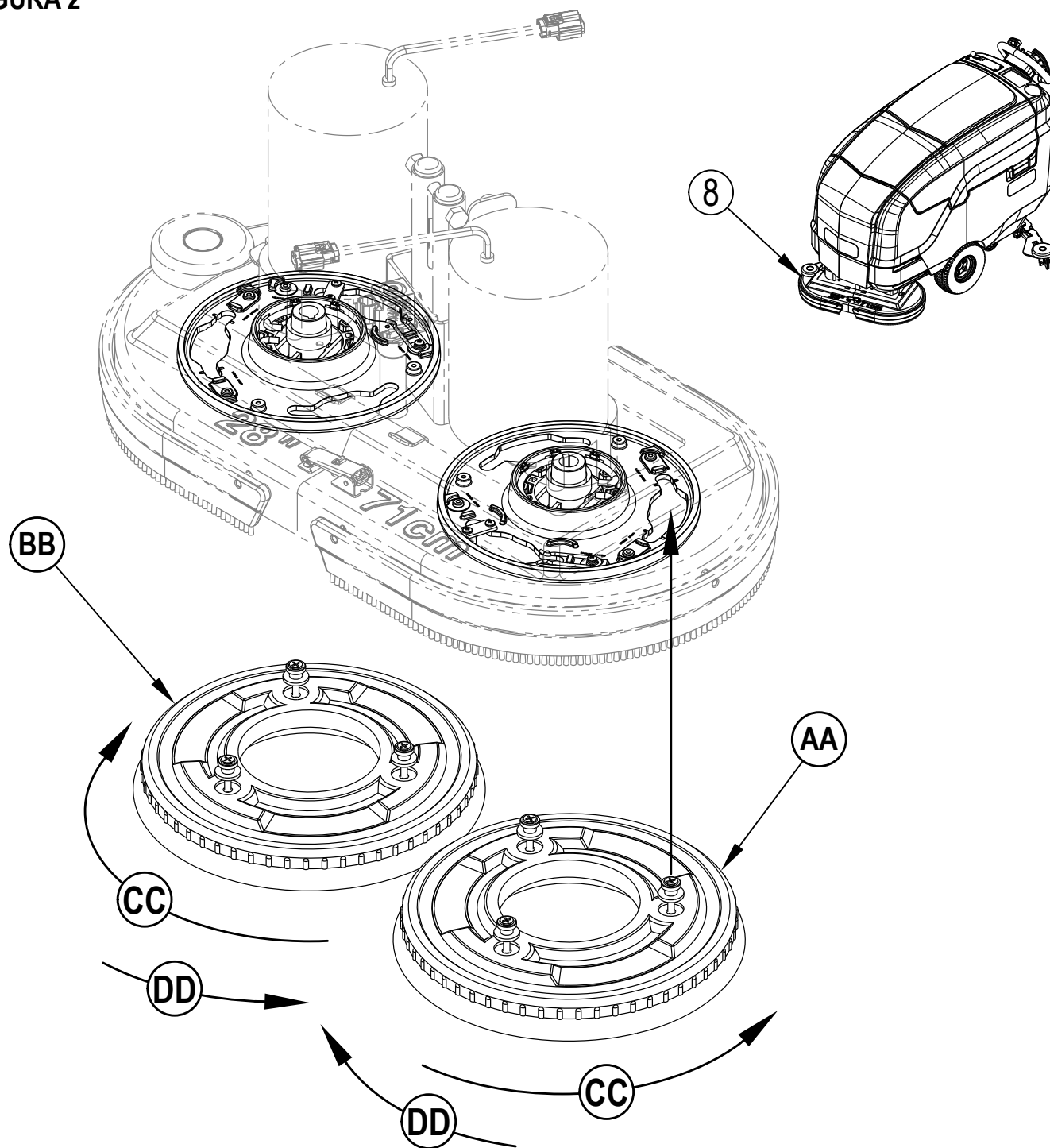
INSTALACIÓN DE LOS CEPILLOS (SISTEMA DISC)

⚠ ¡PRECAUCIÓN!

Antes de cambiar los cepillos y antes de abrir cualquier panel de acceso, ponga el interruptor de llave en la posición de apagado off (O) y saque la llave.

- 1 Asegúrese de que la Cubierta de limpieza (8) esté en su posición ELEVADA. Cerciérese de que el Interruptor de llave (A) esté en off (O).
 - 2 Si está usando almohadillas, instálelas en los sujetadores de almohadillas.
 - 3 **Ver Figura 2.** Para montar los cepillos (AA) (o sujetadores de almohadillas) alinee los anillos (BB) en el cepillo con los agujeros de la placa de montaje y gírelos para fijarlo en su lugar (gire el borde exterior del cepillo hacia la parte posterior de la maquina como se muestra (CC)).
- NOTA:** Al estar en operación, los cepillos deben rotar en la dirección (DD).

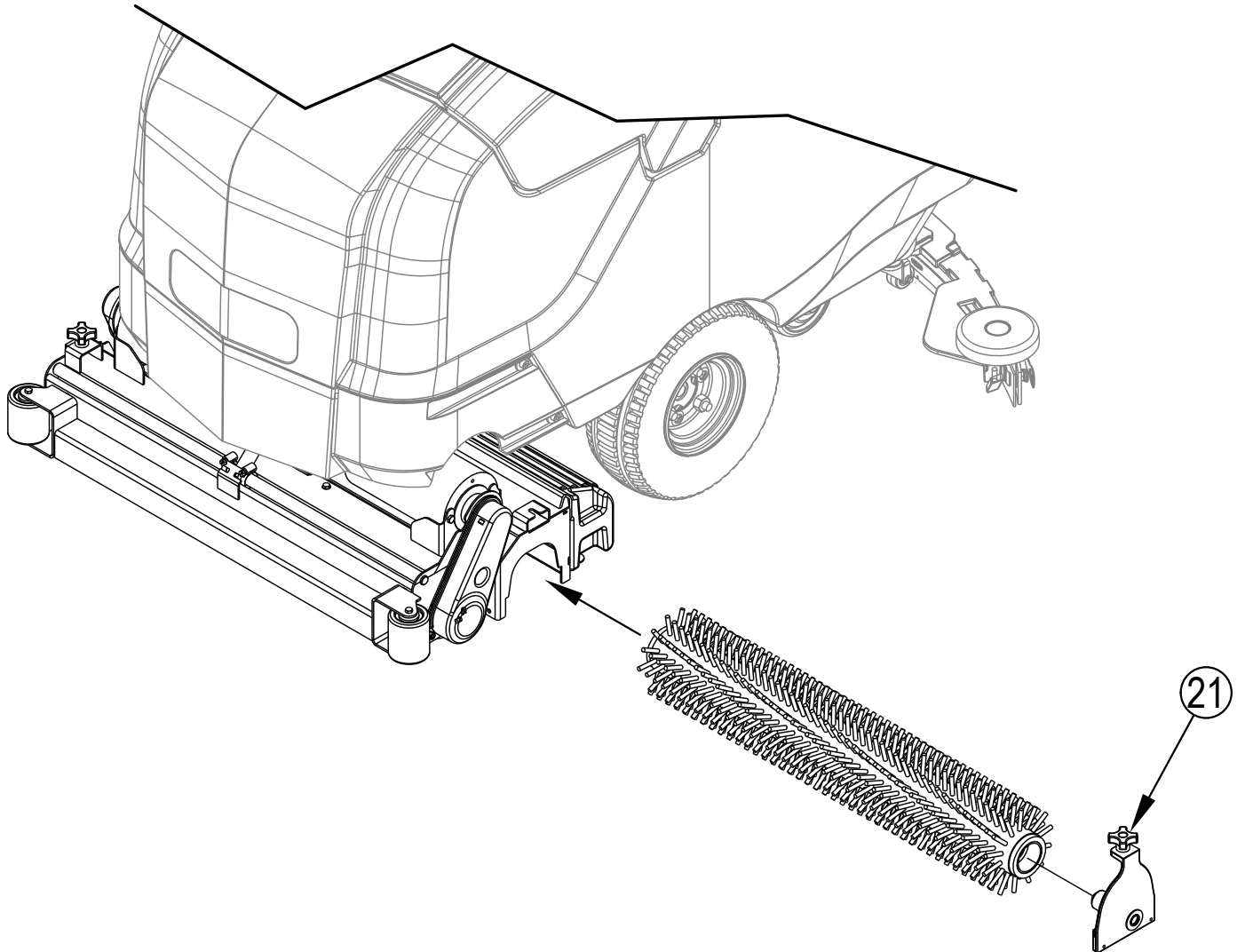
FIGURA 2



INSTALE LOS CEPILLOS (SISTEMA CILÍNDRICO)**⚠ ¡PRECAUCIÓN!**

Antes de cambiar los cepillos y antes de abrir cualquier panel de acceso, ponga el interruptor de llave en la posición de apagado *off* (O) y saque la llave.

- 1 Cerciérese de que la cubierta de cepillos está en posición ELEVADA. Cerciérese de que el Interruptor de llave (A) esté en *off* (O).
- 2 **Ver Figura 3.** Para llegar a los cepillos afloje las perillas negras (una de cada lado) en la parte superior de los conjuntos de rodillo (21) y retire los conjuntos de rodillo. Deslice el cepillo dentro de la carcasa, levántelo ligeramente, presiónelo y gírelo hasta que asiente. Reinstale los conjuntos de rodillo.

FIGURA 3

LLENADO DEL TANQUE DE SOLUCIÓN

Llene el tanque con un máximo de 30 galones (113.5 Litros) de solución de limpieza. No llene el tanque de solución a más de 7.5 cm (3 pulgadas) del fondo del Llenado de solución (1). La solución debe ser una mezcla de agua y el químico de limpieza adecuado para el trabajo. Siempre siga las instrucciones de dilución de la etiqueta del recipiente del producto químico. **NOTA:** Las máquinas EcoFlex también pueden ser usadas convencionalmente con detergente mezclado en el tanque o se puede usar el sistema de despacho de detergente.

⚠ ¡PRECAUCIÓN!

Únicamente use espuma bajo, detergentes líquidos no inflamables hechos para aplicarse con máquina. La temperatura del agua no debe exceder 130 grados Fahrenheit (54.4 grados Celsius)

INSTALACIÓN DEL LIMPIADOR

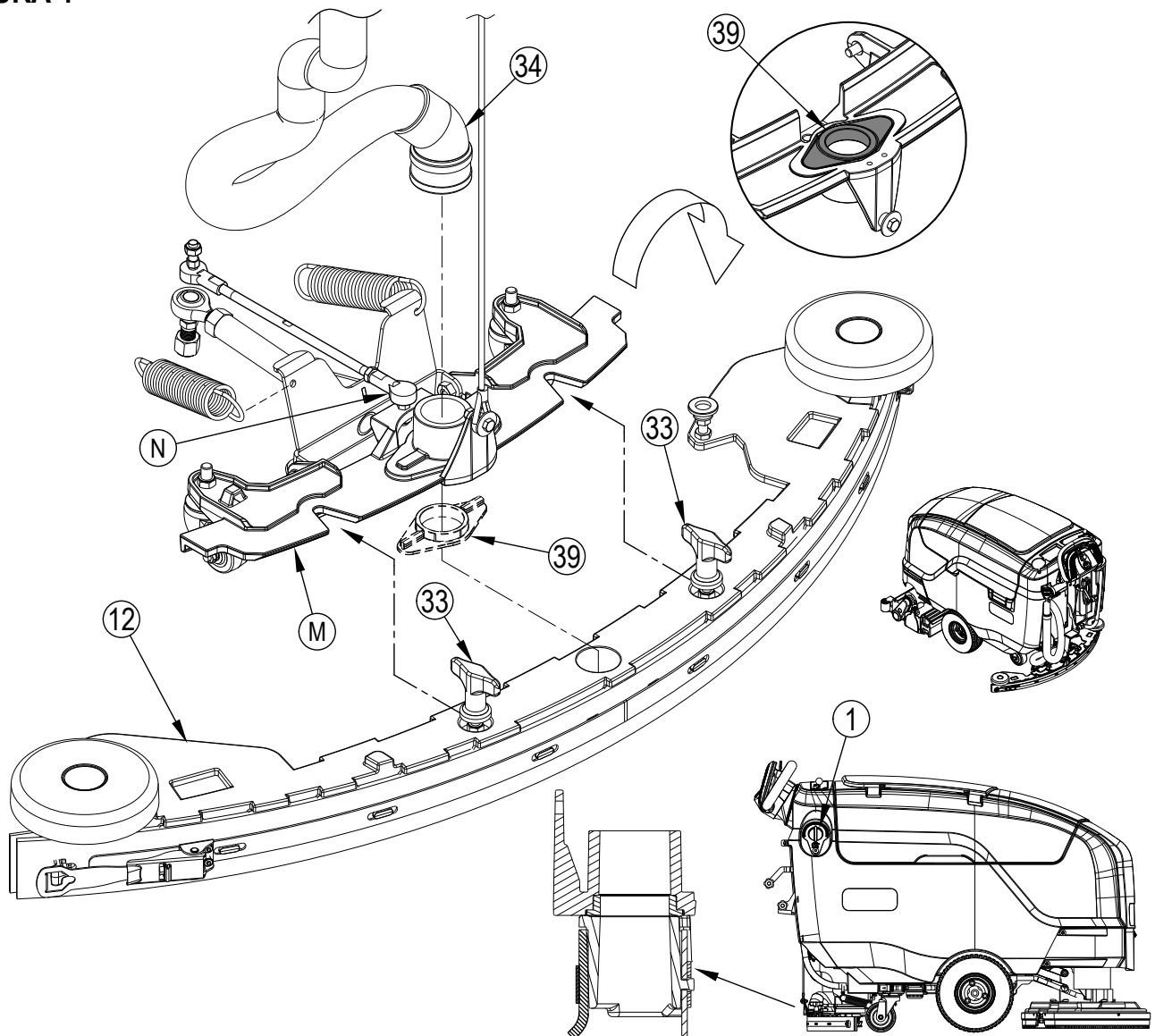
- 1 Ver Figura 4. Cerciórese de que el sello de la rasqueta (39) esté libre de residuos e instalado en el soporte de montaje de la rasqueta (M).
- 2 Deslice el conjunto del limpiador (12) sobre la abrazadera de montaje del limpiador (M) y apriete las tuercas mariposa de montaje del limpiador (33).

¡IMPORTANTE!: APRIETE ÚNICAMENTE A MANO LAS TUERCAS MARIPOSA DEL LIMPIADOR, NO USE HERRAMIENTAS.

- 3 Conecte la manguera de recuperación (34) a la entrada del limpiador.
- 4 La abrazadera de montaje del limpiador (M) tiene una posición ajustada de fábrica de manera que la hoja del limpiador trasero toca el piso uniformemente a todo lo ancho y se dobla ligeramente por encima como se muestra.

NOTA: De ser necesario, un técnico de servicio puede ajustar el Conjunto del tensor (N) para cambiar el ángulo del limpiador.

FIGURA 4



PREPARACIÓN Y USO DEL SISTEMA DE DETERGENTE (SOLO MODELOS ECOFLEX)

INSTRUCCIONES COMUNES:

El detergente previo debe purgarse del sistema al cambiar a uno nuevo. **NOTA DE SERVICIO:** Mueva la máquina sobre el drenaje del piso antes de purgar ya que se tirará una pequeña cantidad de detergente en el proceso.

Para purgar semanalmente o Cuando se cambien los productos químicos:

- 1 Desconecte y retire el cartucho de detergente. Instale y conecte un cartucho lleno de agua limpia y lleve la máquina a un drenaje de piso.
- 2 **Ver Figura 5.** Encienda el interruptor de llave (A). Gire el pomo de control de la velocidad (B) a su nivel más bajo. Gire el pomo de la solución (H), y el pomo del detergente (J) a sus niveles máximos. Suelte el cabezal de fregado y presione la palanca de dirección (C) hacia adelante durante (1) minuto para dejar correr el agua a través del sistema EcoFlex. Normalmente un ciclo de purga es adecuado para purgar el sistema.
- 3 Inspeccione visualmente el cartucho de detergente (7a) para determinar cuándo está vacío. Usted debería ser capaz de verter una botella entera de un galón (3.80 Litros) de detergente dentro del cartucho para rellenarlo sin preocuparse por la medida.

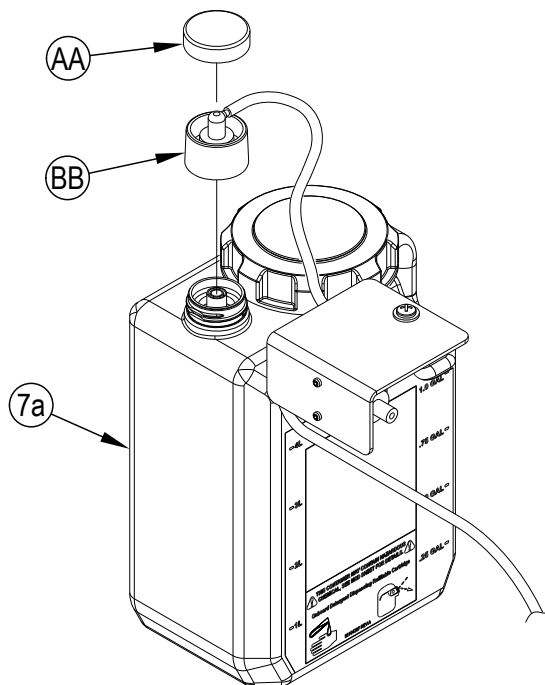
Relación de detergente:

- 1 **Vea la Figura 5.** El flujo de solución se controla girando manualmente la perilla de solución (H) la cual varía la cantidad de flujo de solución desde 0 hasta 1 galón (3.80 Litros) por minuto (gpm).
- 2 La perilla de detergente (J) varía la concentración de detergente desde 400:1 hasta 32:1. Seleccione manualmente la posición central de la relación deseada que lleva un código de color en el módulo de detergente (G, 7b), y lleva un código de color con los ajustes listados en la calcomanía de ajustes químicos. Verde=1/2 oz./galón, Azul=1 oz./galón, Amarillo=2 oz./galón, Rojo=3 oz./galón. La relación de detergente es variable y usted puede empobrecerla o enriquecerla desde la posición central de la relación deseada.
- 3 Ambas perillas tienen pequeñas zonas muertas en ambos extremos. La zona muerta inferior apagará esa función en posición "off" (solución= 0gpm, o detergente = 1:0). La zona muerta superior ajustará esa función al máximo (solución= 1 gpm, o detergente = 32:1).
- 4 El Interruptor del Chorro de potencia (K) activa y desactiva la característica de Chorro de potencia. El Chorro de potencia incrementará la relación del flujo de solución a razón de 0.33 gpm (1.25 lpm) y duplicará la concentración de detergente por 60 segundos. Si se presiona el Interruptor del Chorro de potencia (K) mientras la característica esta activada, esta acción la desactivará.
- 5 El interruptor LED del Chorro de potencia (L) se encenderá mientras se está limpiando. Normalmente el LED es continuo, pero parpadeará cuando la característica Chorro de potencia este activada "on". La velocidad del parpadeo incrementará en los últimos 10 segundos de los 60 segundos que dura el Chorro de potencia.

INSTRUCCIONES ESPECÍFICAS DEL CARTUCHO:

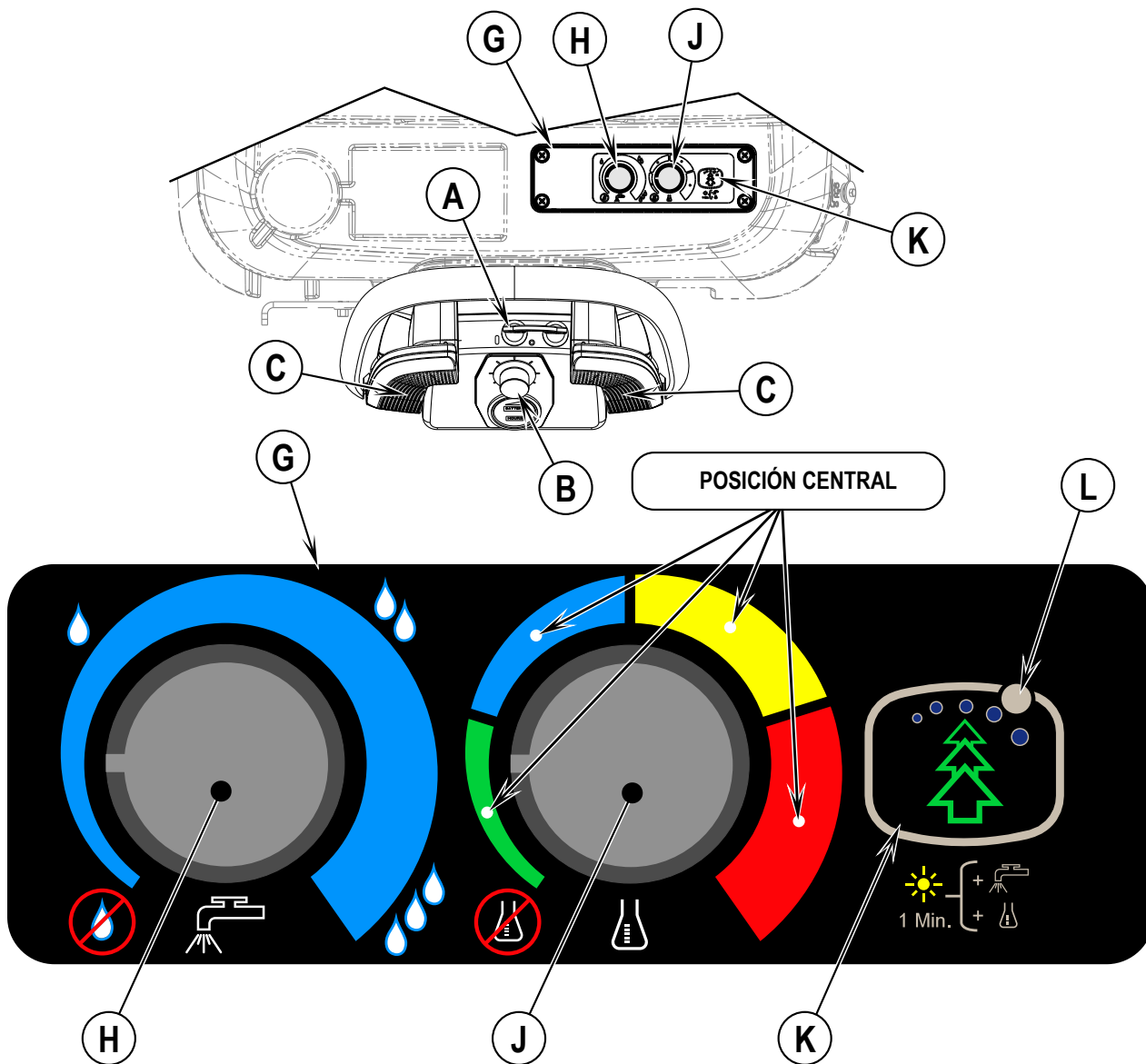
Llene el cartucho de detergente (7a) con un máximo de 1.25 galones (4.73 Litros) de detergente. **NOTA DE SERVICIO:** Retire el cartucho de detergente de la máquina antes de llenarlo para evitar derramar detergente en la máquina.

Se recomienda usar un cartucho separado por cada detergente que se planea usar. Los cartuchos de detergente tienen una calcomanía blanca de manera que usted puede escribir el nombre del detergente en cada cartucho para evitar mezclarlos. Al instalar un nuevo cartucho, retire la tapa (AA) y coloque el cartucho en la caja de detergente. Instale la Tapa de Freno en seco (BB) como se muestra.



PREPARACIÓN Y USO DEL SISTEMA DE DETERGENTE (SOLO MODELOS ECOFLEX)

FIGURA 5



CHEMICAL SETTINGS

QUANTITY	%	RATIO	COLOR
0.5 Oz/gal	0.4%	1:256	Green
1 Oz/gal	0.8%	1:128	Blue
2 Oz/gal	1.6%	1:64	Yellow
3 Oz/gal	2.3%	1:43	Red

LIMPIEZA EN HÚMEDO

¡ADVERTENCIA!

Cerciórese de entender los controles del operador y sus funciones. Evite parar súbitamente en rampas e inclinaciones con el equipo cargado. Evite dar vueltas cerradas de manera abrupta. Baje lentamente en pendientes. Limpie la rampa únicamente al ascender (de subida).

- 1 Siga las instrucciones de este manual en la sección Preparar la máquina para el uso.
- 2 Gire el Interruptor de llave maestro (A, 28) ON (I). Esto encenderá las luces indicadoras del panel de control; consulte la Batería / Medidor de horas en la pantalla (F, 27).
- 3 Para transportar la máquina a la zona de trabajo, inicie colocando sus manos en el asa de control del operador (D, 2). Pulse la palanca de dirección (C, 23) para ir hacia adelante o tire de la palanca de dirección (C, 23) hacia atrás para mover la máquina en marcha atrás. Varie la presión de la palanca de dirección (C, 23) para alcanzar la velocidad deseada.
NOTA: El pomo del control de la velocidad (B, 26) se usa para controlar la velocidad máxima tanto en avance como en marcha atrás.
- 4 Detenga la máquina soltando la palanca de dirección (C, 23).
- 5 Use la Palanca de cubierta (32) para bajar la cubierta, (Ahora la máquina esta lista para limpiar cuando se empiece a mover). Use la Palanca de cubierta (32) para aumentar la presión de limpieza al asegurar la palanca en la posición media o alta en el Soporte de palanca de cubierta. **VER DETALLE 1.**
Cuando se utiliza la posición de fregado alto en aplicaciones agresivas puede producirse una sobrecarga del motor del cepillo y se dispararán los disyuntores del motor del cepillo para proteger el motor de cualquier daño. Si esto sucede con frecuencia, evite esta configuración de alta presión o instale un kit de fregado de alta resistencia, N.º de serie 56115458.
- 6 Use la Palanca de control de solución (E) para regular la cantidad de solución que está siendo despachada. La solución solo se despacha al limpiar.
Solo modelos EcoFlex: Use el Módulo de detergente (G, 7b) para regular la cantidad de solución y detergente despachado.
- 7 Baje el limpiador con la Palanca de Subir / Bajar Limpiador (30). El motor de aspiración se encenderá cuando el limpiador este abajo y se apagará cuando se eleve.
- 8 Cuando no se ha presionado o tirado la palanca de dirección (C, 23) y la máquina está parada, se pondrán en pausa los sistemas de fregado, solución y detergente (modelos EcoFlex). Agarre el asa de control del operador (2) y presione la palanca de dirección (C, 23) para ir hacia adelante o tire de la palanca de dirección (C, 23) para ir hacia atrás para reanudar el fregado. Para mejores resultados, mueva la máquina a una velocidad de recorrido baja.

¡PRECAUCIÓN!

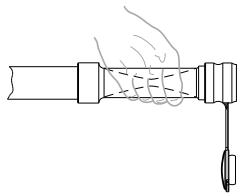
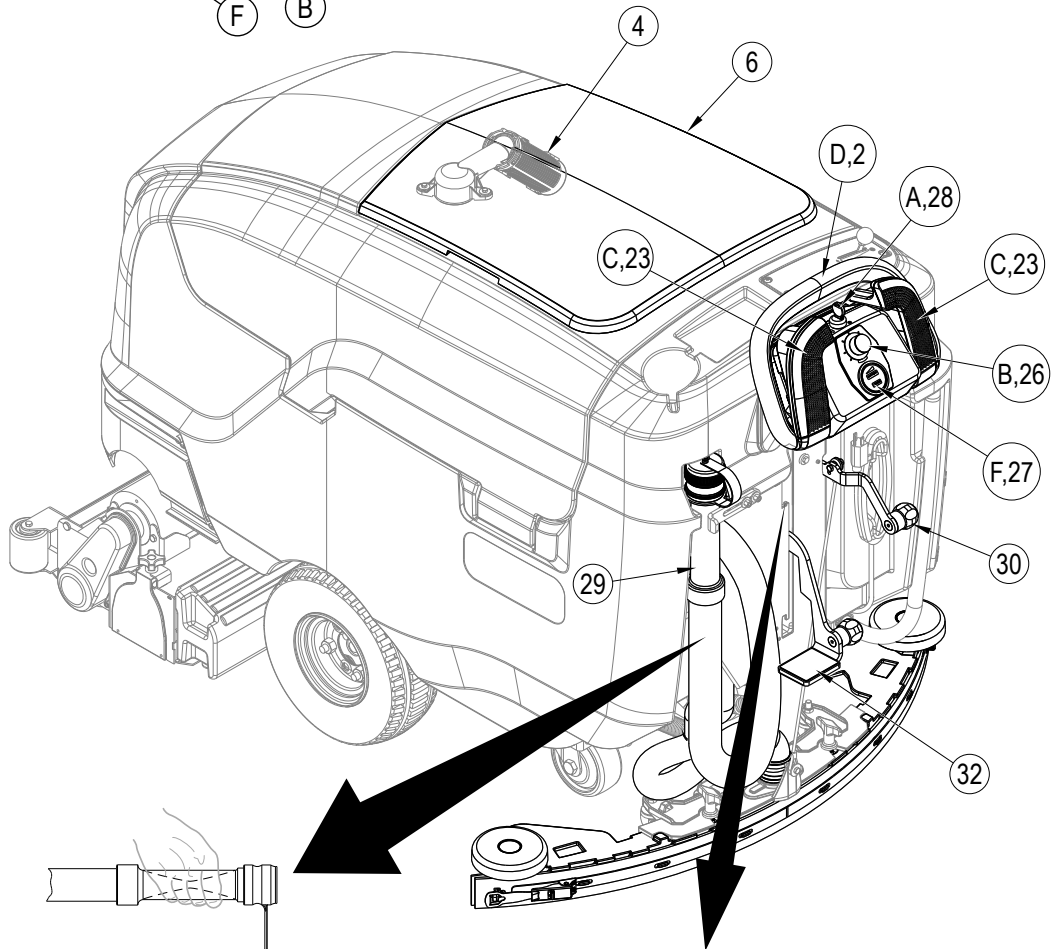
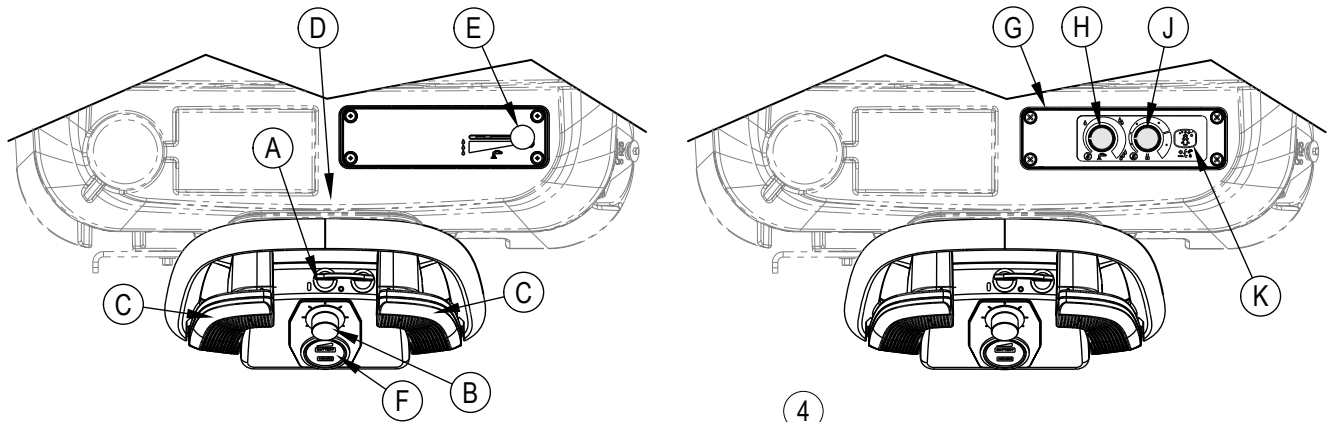
Para evitar dañar el suelo, mantenga la máquina andando mientras los cepillos giren.

- 9 Al limpiar, revise ocasionalmente debajo de la máquina para ver si toda el agua de desperdicio está siendo levantada. Si la máquina deja un rastro de agua, podría estar despachando demasiada solución, el tanque de recuperación podría estar lleno, o la herramienta del limpiador podría requerir un ajuste.
- 10 Para pisos excesivamente sucios, una sola pasada de limpieza podría no ser satisfactoria y podría requerirse una operación de "doble limpieza". Esta operación es la misma que la limpieza de una sola pasada excepto que en la primera el limpiador está en posición elevada. Esto permite que la solución de limpieza permanezca en el suelo para trabajar por más tiempo. La pasada final se lleva a cabo sobre la misma área, con el limpiador abajo para levantar la solución acumulada.
- 11 El tanque de recuperación tiene un flotador de cierre (4) que cambia la inclinación en el motor de aspiración. Cuando este flotador está activado, el tanque de recuperación se debe vaciar. La máquina no levantará agua con el flotador activado. **NOTA:** Vacíe la caja receptora de escombros cada vez que drene el tanque de recuperación.
- 12 Cuando el operador quiere dejar de limpiar o el tanque de recuperación está lleno;
- 13 Levante la cubierta y alce el limpiador cuando se haya levantado toda el agua.
- 14 Conduzca la máquina hacia un "SITIO DE DESAGÜE" de agua de desperdicio y vacíe el tanque de recuperación. Para vaciar, jale la Manguera de drenado del tanque de recuperación (29) desde su colgador y abra la tapa (sostenga el extremo de la manguera sobre el nivel del agua en el tanque para evitar que el agua de desperdicio fluya súbitamente y sin control). La Manguera de drenado del tanque de recuperación (29) puede apretarse para regular el flujo. Rellene el tanque de solución y siga limpiando.

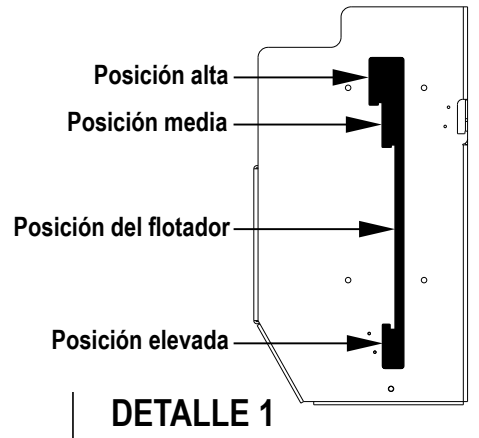
NOTA: Asegúrese de que la Cobertura del tanque de recuperación (6) y la Tapa de la Manguera de drenado del tanque de recuperación (29) esté correctamente asentada o la máquina no levantará agua correctamente. Cuando las baterías requieren recargar la Batería / Medidor de horas (F, 27) hace parpadear el 2° LED de la izquierda para advertir que la batería se ha descargado en 70%. Cuando la descarga llega al 80%, la pantalla parpadea alternadamente los 2 LED de la izquierda para indicar que queda muy poca capacidad. A este nivel de carga los sistemas de limpieza se desactivan para proteger la batería. El sistema de aspiración continuará operando para permitir la recuperación de cualquier cantidad de solución que quede en el suelo. Lleve la máquina a un área de servicio y recargue las baterías conforme a las instrucciones de este manual en la sección Batería.

NOTA DE SERVICIO: Consulte el manual de servicio para ver descripciones funcionales detalladas de todos los controles.

LIMPIEZA EN HÚMEDO



Soporte de palanca de cubierta

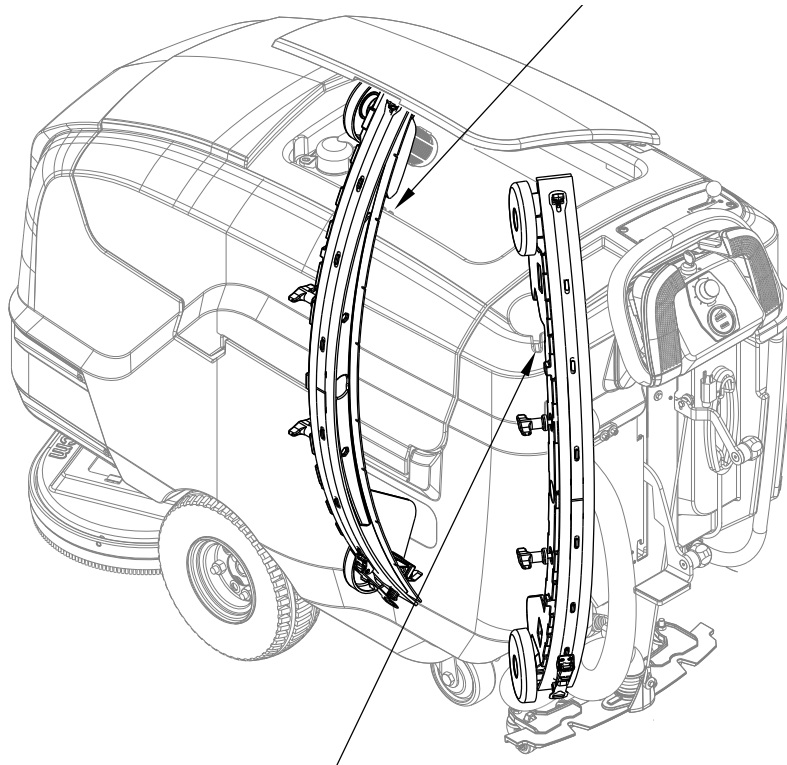


DESPUÉS DEL USO

- 1 Levante los cepillos (o almohadillas) y levante el limpiador. Mueva la máquina hacia un área de servicio.
- 2 Coloque el Interruptor de llave maestro en **(A)** OFF y retire la llave.
- 3 Para vaciar el tanque de solución, jale la Manguera de drenado del tanque de solución **(31)** sacándola del conector superior. Dirija la manguera hacia un drenaje de piso o cubeta. Enjuague el tanque con agua limpia. Inspeccione las mangueras de solución; reemplácelas si están dobladas o dañadas.
- 4 Para vaciar el tanque de recuperación, retire la Manguera de drenado del tanque de recuperación **(29)** de su colgador y quite la tapa (sostenga el extremo de la manguera sobre el nivel del agua en el tanque para evitar que el agua de desperdicio fluya súbitamente y sin control). La Manguera de drenado del tanque de recuperación **(29)** puede apretarse para regular el flujo. Enjuague el tanque de recuperación y el cierre de flotador **(4)** con agua limpia. Inspeccione las mangueras de recuperación y de aspiración; reemplácelas si están retorcidas o dañadas.
- 5 Retire los cepillos o los sujetadores de almohadillas. Enjuague los cepillos o almohadillas con agua tibia y cuélguelas para secar. Deje que las almohadillas de pulido se sequen por completo antes de volverlas a usar. **NOTA:** En todos los **modelos SC901** debe remover los cepillos manualmente.
- 6 Retire el limpiador, enjuáguelo con agua tibia y cuélguelo para secar.
- 7 **Ver Figura 6.** Utilice los puntos de almacenamiento del Tanque de recuperación o el Sujetador de botellas para colgar el limpiador.
- 8 Revise el programa de mantenimiento a continuación y lleve a cabo cualquier mantenimiento necesario antes de almacenar.
- 9 Guarde la máquina en interiores en un lugar limpio y seco. Evite la congelación. Deje los tanques abiertos para ventilarlos.
- 10 Coloque el interruptor de llave en la posición **(A)** OFF (O) y retire la llave.
- 11 Las baterías son el artículo de reemplazo más costoso en esta máquina. Para proteger su inversión y lograr la mayor cantidad de ciclos posible de las baterías, recuerde lo siguiente:
 - Cuando instale las baterías asegúrese de que la máquina y el cargador estén programados para el tipo de batería correcto.
 - Las baterías durarán más si se mantienen totalmente cargadas.
 - Las baterías fallarán de manera prematura si se guardan descargadas.
 - Los cargadores de baterías no las cargarán ni de más ni de menos.
 - Cada día después del uso, el cargador de baterías debe estar conectado y debe poder correr una secuencia de carga total para cargar totalmente las baterías. Esto podrá tomar de 8-12 horas dependiendo del estado de las baterías.
 - Siempre tenga el cargador conectado en un tomacorriente CA para mantener la máquina cargada si esta no se usará por un largo periodo de tiempo.
 - No hay beneficio al descargar hasta niveles bajos. No omita la carga por que las baterías no estén totalmente descargadas.

FIGURA 6

Localización del limpiador del tanque de recuperación



Punto de almacenamiento del Sujetador de botellas para el limpiador

PROGRAMA DE MANTENIMIENTO

ARTÍCULO DE MANTENIMIENTO	Diario	Semanal	Mensual	Anual
Cargue las baterías	X			
Revise / limpie tanques y mangueras	X			
Revise / limpie los cepillos / almohadillas	X			
Revise / limpie el limpiador	X			
Revise / limpie el flotador del cierre de aspiración	X			
Vacíe / limpie la charola de escombros del Tanque de Recuperación	X			
Revise el nivel de agua de cada celda(s) de batería.		X		
Inspeccione la camisa de la carcasa de limpieza		X		
Inspeccione y limpie el filtro de solución		X		
Purgue el sistema de detergente		X		
Lubricación de la Máquina			X	
* Revise las escobillas de carbón				X

* Haga que un Centro de servicio autorizado de Advance revise los cepillos motorizados de carbono del motor de aspiración una vez al año o después de 300 horas de operación. Se deben revisar el cepillo y las escobillas de carbón del motor de impulso cada 500 horas o una vez al año.

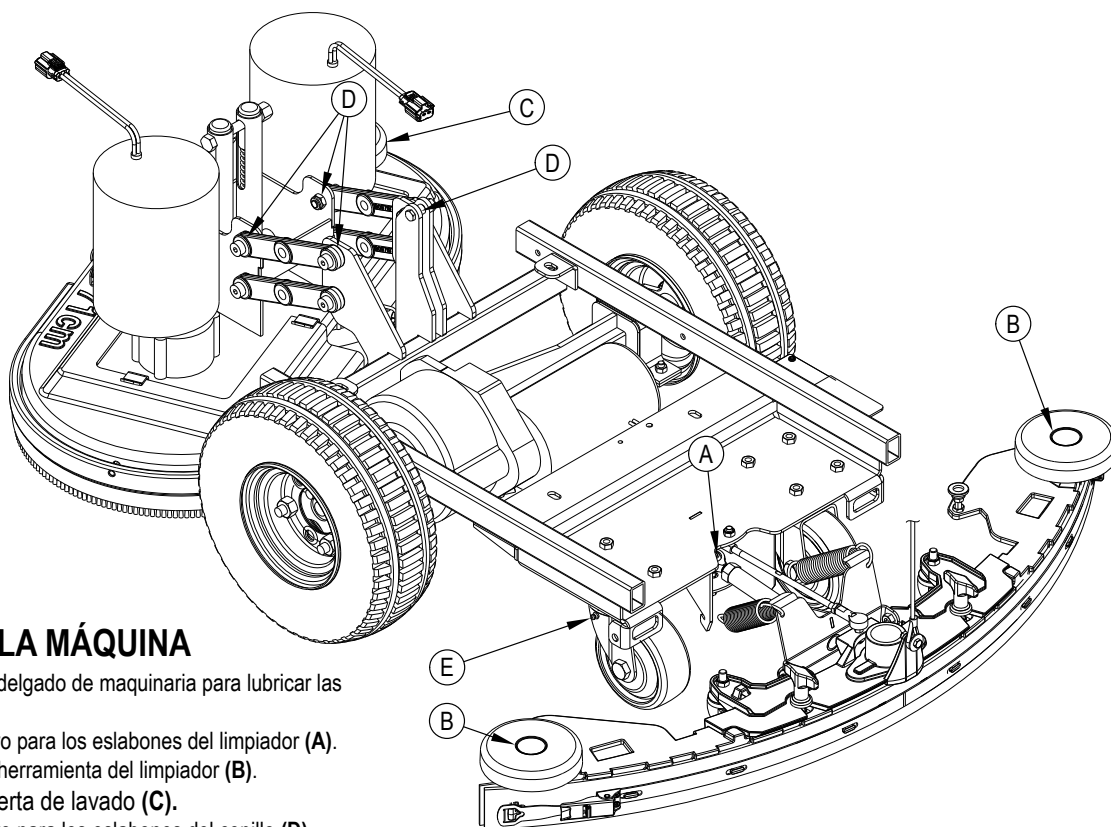
NOTA: Consulte el Manual de servicio para conocer más detalles de mantenimiento y reparaciones de servicio.

SERVICIO DEL MOTOR DE VACÍO

Haga que el distribuidor autorizado de Advance de su localidad revise las escobillas de carbón del motor una vez al año o después de 300 horas de operación.

⚠ ¡IMPORTANTE!

Los daños al motor por falta de servicio a las escobillas de carbón no están cubiertos por la garantía limitada. Lea la declaración de la Garantía limitada.



LUBRICACIÓN DE LA MÁQUINA

Una vez al mes, aplique aceite delgado de maquinaria para lubricar las siguientes partes:

- Puntos generales de apoyo para los eslabones del limpiador (A).
- Ruedas de extremo de la herramienta del limpiador (B).
- Rueda de tope de Cubierta de lavado (C).
- Puntos generales de apoyo para los eslabones del cepillo (D).

Una vez cada tres meses engrase lo siguiente:

- Eslabones giratorios de la rueda trasera (E).

CARGA DE LAS BATERÍAS MOJADAS

Cargue las baterías cada vez que la máquina se use o cuando la lectura del Indicador de batería / Medidor de horas (F) indique menos de la carga total.

¡ADVERTENCIA!

No llene las baterías antes de cargar.

Cambie las baterías en un área bien ventilada.

No fume mientras de servicio a las baterías

Al dar servicio a las baterías...

- * Qúitese todo accesorio
- * No fume
- * Use lentes de seguridad, guantes y mandil de hule
- * Trabaje en un área bien ventilada
- * No permita que las herramientas toquen más de una terminal de batería a la vez
- * SIEMPRE desconecte primero el cable negativo (tierra) al reemplazar las baterías, para evitar chispas.
- * SIEMPRE conecte al último el cable negativo al instalar las baterías.

Si su máquina fue embarcada con un cargador de baterías abordo haga lo siguiente:

Coloque el Interruptor de llave en la posición (A) OFF. Desenrede la extensión eléctrica de un lado del cargador abordo y conéctela en un tomacorriente debidamente aterrizado. Para conocer instrucciones de operación más detalladas consulte el manual OEM del producto.

Si su máquina fue embarcada sin un cargador de baterías abordo haga lo siguiente:

Desconecte las baterías de la máquina y cerciórese de conectar el conector del cargador al Conector del paquete de baterías (15). Siga las instrucciones del cargador de baterías.

¡PRECAUCIÓN!

Para evitar dañar la superficie del piso, limpie el agua y el ácido de la parte superior de las baterías después de cargarlas.

REVISE EL NIVEL DE AGUA EN LA BATERÍA

Revise el nivel de agua de las baterías cuando menos una vez por semana.

Después de cargar las baterías, quite las tapas de las ventilas y revise el nivel de agua de cada celda de batería. Use agua destilada o desmineralizada en un recipiente para llenado de baterías (disponible en la mayoría de las tiendas de autopartes) para llenar cada celda hasta su indicador de nivel (o 10 mm por encima de la parte superior de los espaciadores). ¡NO llene de más las baterías!

¡PRECAUCIÓN!

Si llena de más las baterías, el ácido puede derramarse sobre el piso.

Apriete las tapas de las ventilas. Lave la parte superior de las baterías con una solución de bicarbonato y agua (2 cucharadas de bicarbonato por 1 litro de agua).

CARGA DE BATERÍAS DE GEL (VRLA)

Cargue las baterías cada vez que la máquina se use o cuando la lectura del Indicador de batería / Medidor de horas (F) indique menos de la carga total.

¡ADVERTENCIA!

Cambie las baterías en un área bien ventilada.

No fume mientras de servicio a las baterías

Al dar servicio a las baterías...

- * Qúitese todo accesorio
- * No fume
- * Use lentes de seguridad, guantes y mandil de hule
- * Trabaje en un área bien ventilada
- * No permita que las herramientas toquen más de una terminal de batería a la vez
- * SIEMPRE desconecte primero el cable negativo (tierra) al reemplazar las baterías, para evitar chispas.
- * SIEMPRE conecte al último el cable negativo al instalar las baterías.

¡PRECAUCIÓN!

Su batería de ácido de plomo regulada con válvula (VRLA) tendrá un desempeño y vida superiores ¡SÓLO SI SE RECARGA ADECUADAMENTE! El sobrecargarla o cargarla de menos acortará la vida de la batería y limitará su desempeño. Cerciórese de ¡SEGUIR LAS INSTRUCCIONES DE CARGA ADECUADAS! ¡NO INTENTE ABRIR ESTA BATERÍA! Si una batería VRLA está abierta, pierde su presión y las placas se contaminan con oxígeno. LA GARANTÍA SE INVALIDARÁ SI LA BATERÍA ESTÁ ABIERTA.

Si su máquina fue embarcada con un cargador de baterías abordo haga lo siguiente:

Coloque el Interruptor de llave en la posición (A) OFF. Desenrede la extensión eléctrica de un lado del cargador abordo y conéctela en un tomacorriente debidamente aterrizado. Para conocer instrucciones de operación más detalladas consulte el manual OEM del producto.

Si su máquina fue embarcada sin un cargador de baterías abordo haga lo siguiente:

Desconecte las baterías de la máquina y cerciórese de conectar el conector del cargador al Conector del paquete de baterías (15). Siga las instrucciones del cargador de baterías.

IMPORTANTE: Cerciórese de tener un cargador adecuado para usarse en Baterías de celdas de gel. Sólo use cargadores de “voltaje regulado” o “voltaje limitado”.

NO SE DEBEN usar cargadores estándar de corriente constante o de picos de corriente. Se recomienda un cargador sensible a temperatura, ya que los ajustes de los manuales nunca son precisos y dañarán cualquier batería VRLA.

SERVICIO DEL LIMPIADOR

Si el limpiador deja estelas angostas o agua, las hojas podrían estar sucias o dañadas. Retire el limpiador, enjuáguelo bajo agua tibia e inspeccione las hojas. De vuelta a las hojas o reemplácelas si están cortadas, desgarradas, onduladas o desgastadas.

Cómo dar vuelta o reemplazar la Hoja frotadora trasera del limpiador:

- 1 Ver Figura 7. Levante del suelo la herramienta del limpiador, después suelte el Broche de remoción de la hoja del limpiador trasero (37) en la herramienta del limpiador.
- 2 Retire el tirante (35).
- 3 deslice la hoja trasera fuera de los pines de alineación (36).
- 4 La hoja del limpiador trabaja con 4 bordes. De vuelta a la hoja de manera que un borde limpio intacto apunte hacia el frente de la máquina. Reemplace la hoja si los 4 bordes están mellados, desgarrados o desgastados en un radio grande.
- 5 Instale la hoja, siguiendo los pasos en orden contrario y de ser necesario ajuste el ángulo del limpiador.

Cómo Invertir la hoja frontal del limpiador...

- 1 Levante del suelo la herramienta del limpiador, después afloje las (2) Tuercas mariposa (33) en la parte superior de la herramienta del limpiador. Desconecte la Manguera de recuperación (34) y retire el Conjunto del limpiador (12) del montaje.
- 2 Afloje la perilla de remoción de la hoja del limpiador frontal (AA) y después retire el Tirante (AB) y la hoja.
- 3 La hoja del limpiador trabaja con 4 bordes. De vuelta a la hoja de manera que un borde limpio intacto apunte hacia el frente de la máquina. Reemplace la hoja si los 4 bordes están mellados, desgarrados o desgastados en un radio grande.
- 4 Instale la hoja, siguiendo los pasos en orden contrario y de ser necesario ajuste el ángulo del limpiador.

AJUSTE DEL LIMPIADOR

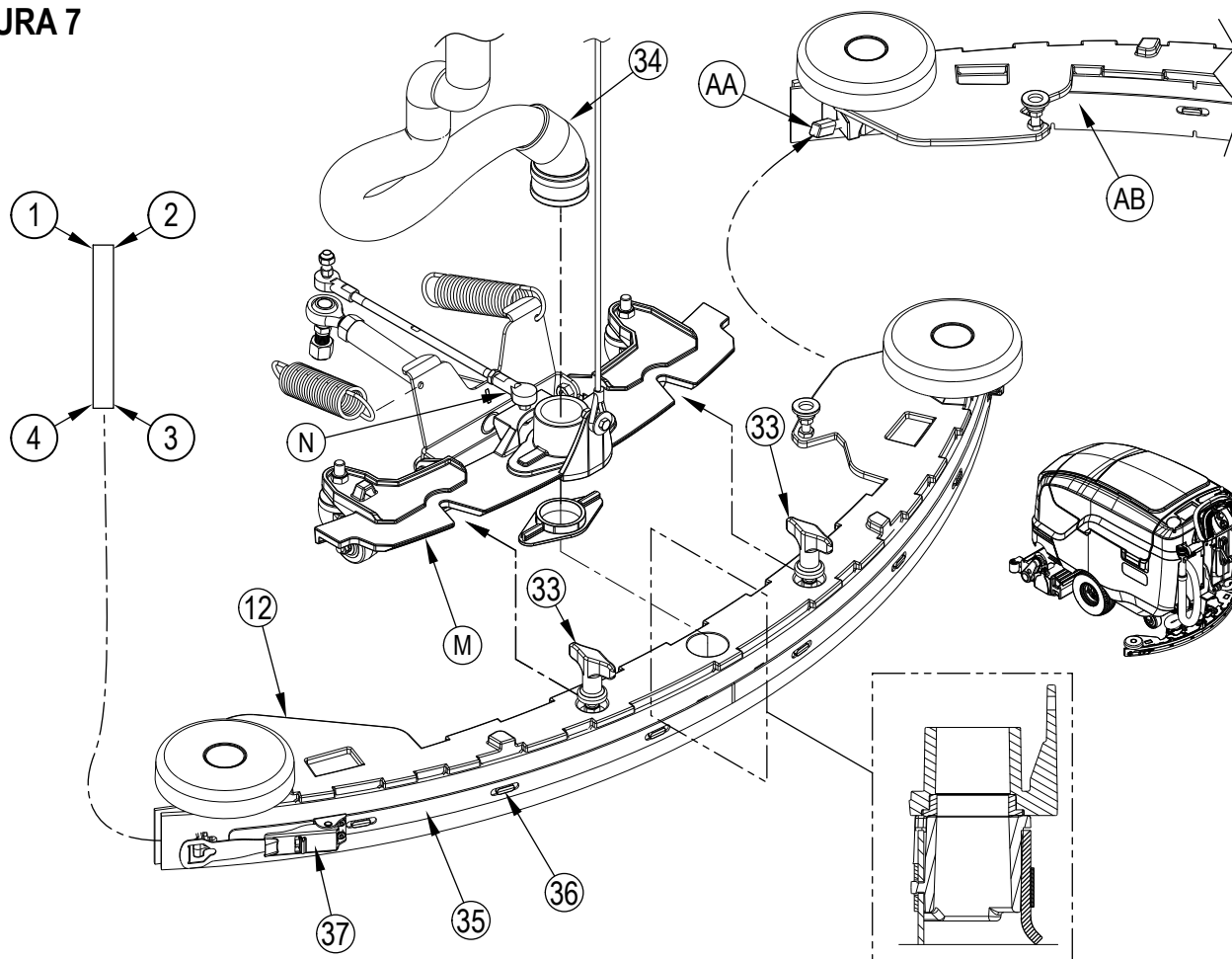
Ajuste el ángulo del limpiador cada vez que se invierta o reemplace una hoja, o si el limpiador no está secando el suelo al frotarlo.

Cómo ajustar el ángulo del limpiador...

- 1 Estacione la máquina en una superficie plana y uniforme y baje el limpiador.
- 2 La abrazadera de montaje del limpiador (M) tiene una posición ajustada de fábrica de manera que la hoja del limpiador trasero toca el piso uniformemente a todo lo ancho y se dobla ligeramente por encima como se muestra.

NOTA: De ser necesario, un técnico de servicio puede ajustar el Conjunto del tensor (N) para cambiar el ángulo del limpiador.

FIGURA 7



SOLUCIÓN DE PROBLEMAS GENERALES DE LA MÁQUINA

Problema	Posible causa	Remedio
Levanta mal el agua	Hojas de limpiador desgastadas o desgarradas	Invertir o reemplazar
	Limpiador desajustado	Ajuste las hojas de forma que toquen el suelo uniformemente a todo lo ancho
	Sello de la rasqueta obstruido o ausente	Limpie o reemplace el sello de la rasqueta
	Tanque de recuperación lleno	Tanque de recuperación vacío
	Fuga en la manguera del tanque de recuperación	Asegure o reemplace la capucha de la manguera de drenado
	Fuga en el empaque del recubrimiento del tanque de recuperación	Reemplace el empaque / asiente bien la cubierta
	Escombros alojados en el limpiador	Limpie la herramienta del limpiador
	Manguera de aspiración obstruida	Retire el escombros
	Se está usando demasiada solución	Ajuste el flujo de solución en el panel de control
	Caja de recolección de escombros llena	Caja de recolección de escombros vacía
Mal desempeño al limpiar	Cepillo o almohadilla desgastados	Gire o reemplace los cepillos
	Tipo de cepillo o almohadilla incorrecto	Consulte a Advance
	Químico de limpieza incorrecto	Consulte a Advance
	Se está moviendo la máquina demasiado rápido	Baje la velocidad
	No se está usando suficiente solución	Incremente el flujo de solución en el panel de control
Flujo de solución inadecuado o sin solución	Tanque de solución vacío	Llene el tanque de solución
	Líneas de solución, válvulas, filtro o canal obstruido	Desagüe las líneas, el canal y limpie el filtro de solución
	Válvula de cierre de solución cerrada	Abra la válvula de cierre de solución
	Válvula solenoide de solución	Limpie o reemplace la válvula
La máquina no funciona	Conector de batería desconectado	Reconecte los conectores de baterías
	Cortacircuitos de 2.5 Amp desconectado	Revise si hay corto circuito y reinicie
No haga avanzar ni retroceder (FWD/REV) la rueda de impulso	Controlador de velocidad del sistema de impulso	Revise los códigos de falla en busca de errores (vea el manual de servicio)
	Cortacircuitos de 30 Amp desconectado	Revise el motor de impulso por sobrecarga
Mal desempeño al barrer (Sistema cilíndrico)	Tolva llena	Vacíe y limpie la tolva
	Cepillos desgastados	Reemplace los cepillos
	Las cerdas se han apelmazado	Gire los cepillos
No hay flujo de detergente (Solo modelos EcoFlex)	Vacíe el cartucho del detergente	Llene el cartucho del detergente
	Línea de detergente doblada o tapada	Sistema de purga, enderece las líneas para quitar cualquier doblez
	Tapa de sello seca en un cartucho de detergente no sellado	Reasiente la tapa seca del sello
	La conexión de la bomba del detergente está desconectada o invertida	Conecte o reconecte el cableado

ESPECIFICACIONES TÉCNICAS (TAL COMO FUERON INSTALADAS Y PROBADAS EN LA UNIDAD)

Modelo		Advance SC901 ST 28D	Advance SC901 ST 34D	Advance SC901 ST 32C
Modelo Núm.		56115530	56115531	56115532
Voltaje, baterías	V	36	36	36
Capacidad de la batería	Ah	310	310	310
Grado de protección		IPX4	IPX4	IPX4
S P L IEC 60335-2-72: Corregido en 2002. 1:2005, ISO 11201	dB(A)/20µPa	68	68	69
S P L – KpA (IEC 60335-2-72, ISO 11201) Incertidumbre	dB(A)	±3.0	±3.0	±3.0
Vibraciones en los controles de mano (ISO 5349-1)	m/s ²	< 2.5	< 2.5	< 2.5
Máxima carga transmitida al suelo por las ruedas (derecha delantera)	psi N/mm ²	147 / 1.0	128 / 0.89	155 / 1.1
Máxima carga transmitida al suelo por las ruedas (izquierda delantera)	psi N/mm ²	107 / 0.74	132 / 1.0	128 / 0.88
Máxima carga transmitida al suelo por las ruedas (derecha trasera)	psi N/mm ²	205 / 1.4	432 / 3.0	245 / 1.7
Máxima carga transmitida al suelo por las ruedas (izquierda trasera)	psi N/mm ²	521 / 5.6	640 / 4.4	416 / 2.9
Ancho de la máquina (chasis)	pulg/ cm	30.3" / 77.0	30.3" / 77.0	30.6" / 77.7
Ancho de la máquina con el limpiador	pulg/ cm	41.8" / 106.2	41.8" / 106.2	41.8" / 106.2
Altura de la máquina	pulg/ cm	44.8" / 113.8		
Longitud de la máquina	pulg/ cm	65.4" / 166	67.4" / 171	63.1" 160.3
Capacidad del tanque de solución	Galón / L	30 / 113.6		
Capacidad del tanque de recuperación	Galón / L	32 / 121		
Tamaño del compartimiento de baterías (aproximadamente)				
Altura (máxima)	pulg/ cm	15 / 38		
Ancho (máximo)	pulg/ cm	26 / 66		
Longitud (máxima)	pulg/ cm	27.5 / 70		
Tamaño del cepillo limpiador				
Diámetro externo del cepillo limpiador - Cilíndrico (el centro es de x pulg / x.x cm)	pulg/ cm	-	-	5.5 / 13.9
Longitud del cepillo limpiador - Cilíndrico (dos cepillos por máquina)	pulg/ cm	-	-	31/ 78.7
Diámetro del cepillo- Disco (dos cepillos por máquina)	pulg/ cm	14/ 13.5	17 / 43.1	-
Velocidad del cepillo limpiador	RPM	250	250	900
Ancho de la huella de limpieza (huella de limpieza)	pulg/ cm	28 / 71.1	34 / 86.3	31 / 78.7
Peso bruto*	lb/kg	1189 / 539.3	1205.5 / 546.8.	1235 / 560.2
Potencia del motor de aspiración - 710 watts máx.	HP	0.95		
Potencia del motor de impulso	HP	.5		
Potencia del motor de cepillos de disco	HP	0.75	0.75	-
Potencia del motor cilíndrico	HP	-	-	0.75
Presión del cepillo	lb/kg	90 lb 41kg 145 lb 65kg 200 lb 90kg	90 lb 41kg 145 lb 65kg 200 lb 90kg	75 lb 34kg 100 lb 45kg 125 lb 56kg
Velocidad máxima de limpieza		3.2	3.2	3.2
Velocidad máxima de transporte		3.2	3.2	3.2
Peso de transporte** (con limpiador y cubierta de cepillos)	lb/kg	942	979	1006
Transporte en pendientes		2% (1.15°)	2% (1.15°)	2% (1.15°)
Limpieza en pendientes		2% (1.15°)	2% (1.15°)	2% (1.15°)

*Peso bruto: Máquina estándar sin opciones, tanque de solución lleno y tanque de solución vacío, con cepillos limpiadores removibles y baterías 310 AH instaladas.

**Peso de flete: Máquina estándar sin opciones, solución vacía y tanques de recuperación, con las baterías instaladas y sin operador.

COMPOSICIÓN DEL MATERIAL

Composición del Material y Reciclabilidad		
Tipo	% de peso de la máquina	% reciclable
Aluminio	5%	100%
Motores/máquinas/eléctricas - otros	20%	25%
Metales ferrosos	20%	100%
Arnés (de seguridad)/ cables	3%	75%
Líquidos	0%	0%
Plástico no reciclable	3%	0%
Plástico reciclable	3%	100%
Polietileno	39%	100%
Goma	8%	34%

TABLE DES MATIÈRES

	Page
Introduction.....	C-3
Pièces et service après-vente	C-3
Plaque d'identification.....	C-3
Déballage de la machine	C-3
Consignes de prudence et de sécurité.....	C-4
Apprenez à connaître votre machine.....	C-6 – C-7
Panneau de commande	C-8
Panneau de commande – EcoFlex™	C-8
Préparation de la machine	
Batteries	C-9 – C-10
Installation des brosses	C-11 – C-12
Remplissage du réservoir de solution	C-13
Installation de la raclette.....	C-13
Système de détergent (EcoFlex™)	C-14 – C-15
Fonctionnement de la machine	
Nettoyage humide	C-16 – C-17
Après l'utilisation de la machine	C-18
Programme d'entretien	C-19
Entretien du moteur d'aspiration.....	C-19
Lubrification de la machine.....	C-19
Entretien	
Chargement des batteries (humides)	C-20
Chargement des batteries (sèches)	C-20
Entretien de la raclette.....	C-21
Réglage de la raclette.....	C-21
Dépannage	C-22
Spécifications techniques.....	C-23
Composition des matériaux.....	C-24

INTRODUCTION

Ce mode d'emploi vous permettra d'exploiter au maximum les fonctionnalités de votre autolaveuse automatique **Advance™**. Lisez-le attentivement avant d'utiliser la machine.

Note : Les chiffres en gras entre parenthèses indiquent que la pièce figure sur les illustrations des pages C-6 – C-8 sauf indication contraire.

Ce produit est conçu pour un usage commercial uniquement.

PIÈCES ET SERVICE APRÈS-VENTE

Si nécessaire, les réparations doivent être effectuées par votre centre de service Advance agréé. Ce centre emploie du personnel formé en usine et maintient un inventaire de pièces de rechange et d'accessoires originaux Advance.

Pour tout entretien ou réparation, contactez Advance. Veuillez préciser les numéros de modèle et de série de votre machine dans toute communication.

MODIFICATIONS

Les modifications et ajouts d'éléments à la machine, qui affectent ses capacités et son fonctionnement sécurisé, ne doivent pas être réalisés par le client ou l'utilisateur sans le consentement préalable et écrit de Nilfisk Inc. Toute altération non approuvée annulera la garantie de la machine. En outre, le client sera entièrement responsable des accidents associés.

PLAQUE D'IDENTIFICATION

Le numéro de modèle (également dénommé Référence) et le numéro de série de votre machine figurent sur la plaque d'identification située dans le compartiment de la batterie. Ces informations sont nécessaires pour commander des pièces détachées. Utilisez l'espace ci-dessous pour consigner ces renseignements en vue d'une utilisation ultérieure.

RÉFÉRENCE _____

N° DE SÉRIE _____

DÉBALLAGE DE LA MACHINE

Lors de la livraison de la machine, veuillez inspecter soigneusement l'emballage et la machine afin de déceler tout dommage éventuel. En cas de dommage manifeste, conservez le carton de conditionnement (au besoin) afin d'en permettre l'inspection. Le cas échéant, prenez immédiatement contact avec le service clientèle d'Advance afin de faire une déclaration de dommage de fret. Veuillez consulter la fiche d'instruction de déballage livrée avec la machine afin d'enlever la machine de la palette.

CADRE RÉGLEMENTAIRE

FCC:

Cet appareil est conforme à la partie 15 des règles de la FCC. Son fonctionnement est soumis aux deux conditions suivantes : (1) Cet appareil ne doit pas causer d'interférence dangereuse, et (2) cet appareil doit accepter toute interférence reçue, y compris les interférences pouvant causer un fonctionnement non désiré.

Les utilisateurs ne sont pas autorisés à apporter de modifications à l'appareil de quelque façon que ce soit. Les modifications qui n'ont pas été expressément approuvées par Nilfisk, Inc. annuleront l'autorité de l'utilisateur quant à l'utilisation de l'équipement.

IC:

Cet appareil est conforme à la (aux) Industrie Canada ICES-002. Son fonctionnement est soumis aux deux conditions suivantes : (1) Cet appareil ne doit pas causer d'interférence, et (2) cet appareil doit accepter toute interférence reçue, y compris les interférences pouvant causer un fonctionnement non désiré de l'appareil.

CONSIGNES DE PRUDENCE ET DE SÉCURITÉ

SYMBOLES

Les symboles reproduits ci-dessous sont utilisés par Advance pour attirer l'attention sur des situations potentiellement dangereuses. Il est donc conseillé de lire attentivement ces indications et de prendre les mesures adéquates en vue de protéger le personnel et le matériel.

DANGER !

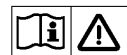
Utilisé pour mettre en garde contre des dangers immédiats pouvant entraîner des blessures graves, voire un décès.

AVERTISSEMENT !

Utilisé pour attirer l'attention sur une situation susceptible d'entraîner des blessures graves.

ATTENTION !

Utilisé pour attirer l'attention sur une situation qui pourrait entraîner des blessures minimales ou des dommages mineurs de la machine ou autres biens.



Veuillez lire l'ensemble des instructions avant d'utiliser la machine.

CONSIGNES GÉNÉRALES DE SÉCURITÉ

Les consignes spécifiques de prudence et de sécurité mentionnées dans ce document ont pour but de vous informer sur les risques potentiels de dommages matériels ou corporels.

Cette machine est destinée à un usage commercial et peut être utilisée, entre autres, dans les hôtels, écoles, hôpitaux, usines, magasins et bureaux. Elle n'a donc pas été conçue pour l'entretien ménager.

AVERTISSEMENT !

- Cette machine ne pourra être utilisée que par un personnel parfaitement entraîné et dûment autorisé.
- Cette machine n'est pas destinée aux personnes (y compris les enfants) qui souffrent de capacités physiques, sensorielles ou mentales diminuées, ou d'un manque d'expérience et de connaissances sauf si elles sont supervisées ou si une personne responsable de leur sécurité leur a communiqué des instructions sur l'utilisation de la machine.
- Les enfants doivent être surveillés afin qu'ils ne jouent pas avec la machine.
- Faites très attention lorsque l'appareil est utilisé à proximité d'enfants.
- L'utilisation de cette machine n'est pas destinée aux personnes (notamment les enfants) qui souffrent de capacités physiques, sensorielles ou mentales diminuées, ou d'un manque d'expérience et de connaissances.
- Évitez les arrêts soudains lorsque la machine se trouve sur des rampes ou des pentes. Évitez les virages serrés. Adoptez une vitesse réduite lorsque la machine est en descente.
- Éloignez les batteries de toute flamme, étincelle ou substance fumigène. Des gaz explosifs sont dégagés lors du fonctionnement normal.
- De plus, du gaz hydrogène explosif s'échappe des batteries lorsqu'elles sont en charge. Procédez au chargement des batteries uniquement dans une zone bien aérée, loin de toute flamme nue. Ne fumez pas à proximité des batteries lorsqu'elles sont en charge.
- Enlevez tous vos bijoux lorsque vous travaillez à proximité de composants électriques.
- Placez l'interrupteur à clé en position d'arrêt (O) et débranchez les batteries avant de procéder à l'entretien des composants électriques.
- Ne travaillez jamais sous une machine sans avoir placé au préalable des blocs de sécurité ou des étais pour soutenir la machine.
- Ne déversez pas des produits nettoyants inflammables, ne faites pas fonctionner la machine sur ou à proximité de tels produits ou dans des zones contenant des liquides inflammables.
- Ne nettoyez pas cette machine avec un nettoyeur à haute pression.
- Utilisez uniquement les brosses fournies avec l'appareil ou celles spécifiées dans le mode d'emploi. L'utilisation d'autres brosses peut mettre la sécurité en péril.
- Respectez le poids brut du véhicule (PBV) de la machine quand vous chargez, conduisez, levez ou supportez la machine.

CONSIGNES DE PRUDENCE ET DE SÉCURITÉ (SUITE)** ATTENTION !**

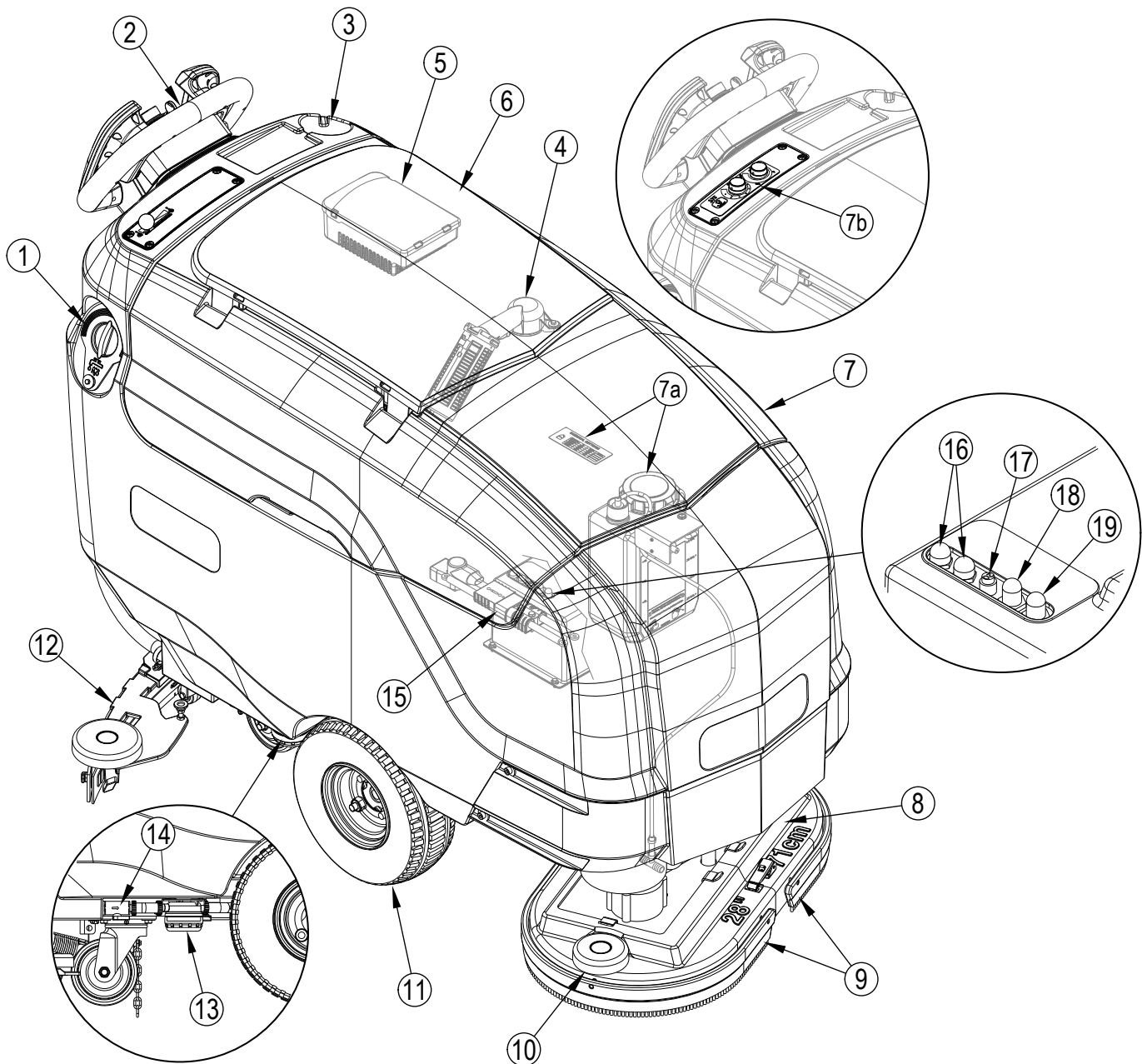
- Cette machine n'est pas conçue pour une utilisation sur les voies publiques.
- Cette machine n'est pas conçue pour le ramassage des poussières dangereuses.
- Faites extrêmement attention lorsque vous utilisez des disques de scarificateur et des meules. Advance ne pourra en aucun cas être tenu pour responsable des dommages occasionnés à vos sols par ce type d'équipement.
- Pendant l'utilisation de cette machine, assurez-vous que les autres personnes, notamment les enfants, ne courent aucun risque.
- Avant de procéder à toute opération d'entretien, veuillez lire attentivement toutes les instructions qui s'y rapportent.
- Ne laissez pas la machine sans surveillance sans avoir, au préalable, coupé le contact (O), enlevé la clé de contact et tiré le frein à main.
- Tournez l'interrupteur à clé en position d'arrêt (O) et enlevez la clé avant de remplacer les brosses et d'ouvrir un panneau d'accès.
- Prenez toutes les mesures nécessaires pour éviter que des cheveux, bijoux ou vêtements amples ne soient entraînés dans les parties mobiles de la machine.
- Faites attention lorsque vous déplacez cette machine dans un endroit où la température peut descendre en dessous de zéro. L'eau contenue dans les réservoirs de solution, de récupération ou de détergent ou dans les conduites risquerait de geler et d'endommager les vannes et les raccords de la machine. Rincez avec un liquide de lave-glace.
- Prenez soin d'enlever les batteries de la machine avant de la mettre au rebut. Concernant l'élimination des batteries, respectez les réglementations locales en matière d'environnement.
- N'utilisez pas cette machine sur des pentes dont l'inclinaison est supérieure à celle indiquée sur la machine.
- Tous les couvercles et panneaux doivent être dans la position indiquée dans le mode d'emploi avant de mettre la machine en service.
- Consultez le manuel du fabricant du chargeur de batterie pour plus de consignes de sécurité spécifiques sur le chargeur de batterie.

CONSERVEZ CES CONSIGNES

APPRENEZ À CONNAÎTRE VOTRE MACHINE

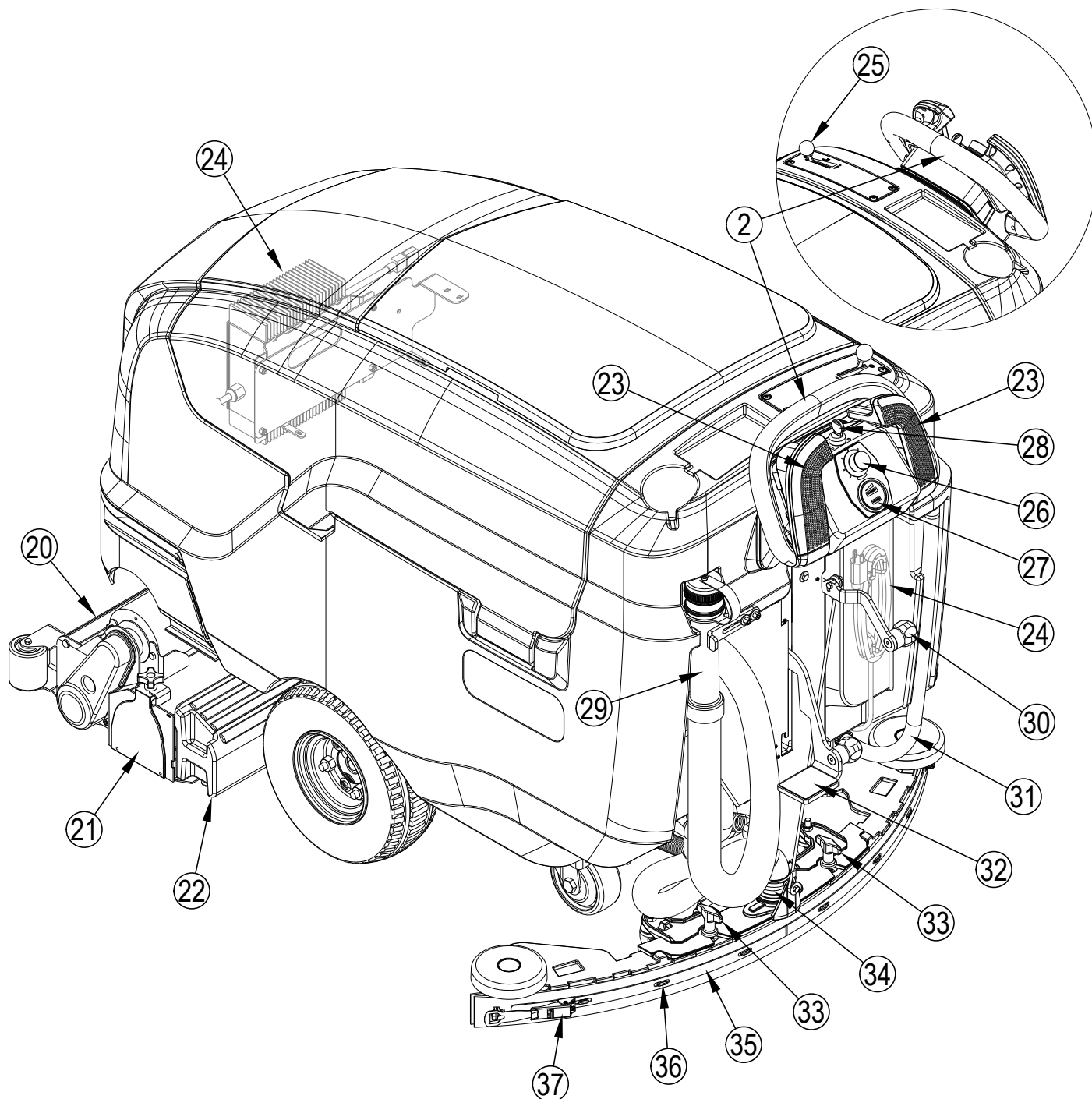
En lisant ce manuel, vous rencontrerez à l'occasion un chiffre ou une lettre en gras et entre parenthèses, tel que : **(2)**. Ces chiffres font référence à un élément illustré sur ces pages, sauf indication contraire. Reportez-vous à ces pages dès que nécessaire afin de repérer avec précision un élément mentionné dans le texte. **NOTE** : Consultez le manuel d'entretien pour obtenir des explications détaillées sur chaque élément illustré dans les 3 pages suivantes.

- | | | | |
|----|--|----|--|
| 1 | Goulot du réservoir de solution | 10 | Galet pare-choc du plateau de lavage |
| 2 | Manette de contrôle de l'opérateur | 11 | Roue motrice |
| 3 | Emplacement du support de bouteille / dispositif de rangement de la raclette | 12 | Raclette |
| 4 | Système de fermeture automatique à flotteur du moteur d'aspiration | 13 | Filtre de solution |
| 5 | Bac à déchets | 14 | Vanne d'arrêt de la solution |
| 6 | Couvercle du réservoir de récupération | 15 | Connecteur du bloc-batterie |
| 7 | Réservoir de récupération (Couvercle d'accès à la cartouche de détergent) | 16 | Disjoncteurs du moteur des brosses (30 A) |
| 7a | Cartouche de détergent (modèles EcoFlex uniquement) | 17 | Disjoncteur du ventilateur d'aspiration (20 A) |
| 7b | Module de détergent (modèles EcoFlex uniquement) | 18 | Disjoncteur de la roue motrice (30 A) |
| 8 | Plateau de lavage (modèles à disque) | 19 | Disjoncteur de l'interrupteur à clé (2,5 A) |
| 9 | Compartiments des brosses (y compris la bavette de brossage) | | |



APPRENEZ À CONNAÎTRE VOTRE MACHINE

- | | | | |
|----|---|----|---|
| 2 | Manette de contrôle de l'opérateur | 28 | Interrupteur à clé étanche |
| 20 | Collecteur de solution (modèles cylindriques uniquement) | 29 | Tuyau de vidange du réservoir de récupération |
| 21 | Bras de renvoi (modèles cylindriques uniquement) | 30 | Levier de levage / abaissement de la raclette |
| 22 | Trémie à déchets (modèles cylindriques uniquement) | 31 | Voyant de niveau / tuyau de vidange de la solution |
| 23 | Levier de marche avant/arrière | 32 | Levier de levage / abaissement du plateau de lavage |
| 24 | Chargeur de batterie embarqué (n'est pas disponible sur tous les modèles) | 33 | Écrou à ailette du support de la raclette |
| 25 | Contrôle de la solution | 34 | Tuyau de récupération |
| 26 | Bouton de contrôle de la vitesse | 35 | Sangle de tension de la lame de raclette |
| 27 | Compteur horaire / batterie | 36 | Goupilles de positionnement de la lame de raclette |
| | | 37 | Loquet de la lame de raclette |

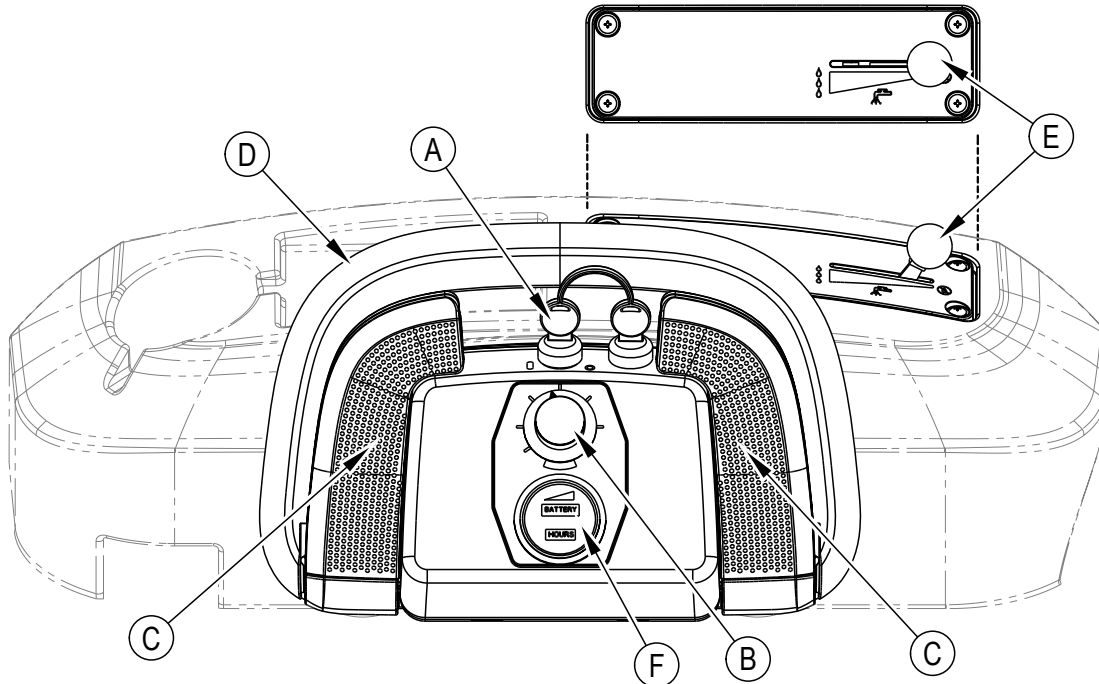


PANNEAU DE COMMANDE

- A Interrupteur d'allumage à clé (Alimentation principale)
- B Bouton de contrôle de vitesse
- C Levier de marche avant/arrière
- D Poignée de commande de l'opérateur
- E Contrôle de la solution (modèles ST)
- F Compteur horaire / batterie

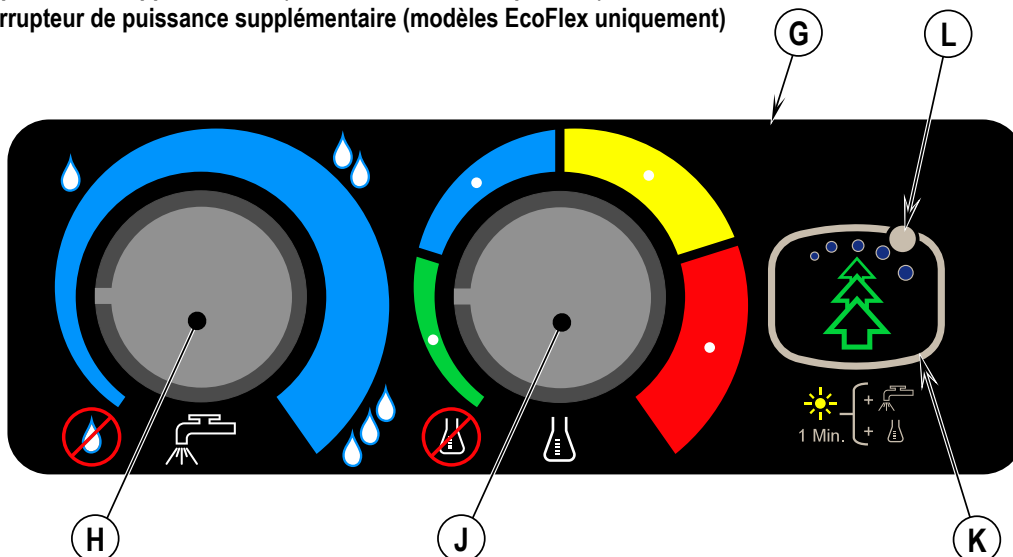
Le compteur horaire non réinitialisable affiche le nombre total d'heures de fonctionnement cumulées pour les moteurs de lavage et va jusqu'à 99 999 heures.

Le symbole du compteur horaire clignote pour indiquer le comptage du temps.



PANNEAU DE COMMANDE - ECOFLEX

- G Module de détergent (modèles EcoFlex uniquement)
- H Bouton de régulation du débit de solution (modèles EcoFlex uniquement)
- J Bouton de contrôle du système de détergent (modèles EcoFlex uniquement)
- K Interrupteur de puissance supplémentaire (modèles EcoFlex uniquement)
- L Voyant de l'interrupteur de puissance supplémentaire (modèles EcoFlex uniquement)



BATTERIES

Si votre machine est livrée avec des batteries installées, procédez comme suit :

- Vérifiez que les batteries sont branchées à la machine **(15)**.

Mettez l'interrupteur à clé **(A)** en position de marche et vérifiez le compteur horaire / batterie **(F)**. La capacité de charge de la batterie est indiquée sur un affichage à DEL composé de 10 barres lumineuses qui vont de Plein (segment de droite allumé) à Vide (segment de gauche allumé). L'alerte LED Flash Alert™ fait clignoter la 2^e DEL à partir de la gauche pour indiquer que la batterie est déchargée à 70 %.

Lorsque le niveau de décharge atteint 80 %, l'alerte LED Flash Alert™ fait clignoter en alternance les deux DEL gauches pour indiquer la faible capacité restante. À ce niveau, les systèmes de lavage sont désactivés pour protéger la batterie. Le système d'aspiration continue à fonctionner afin que la solution restant sur le sol soit récupérée.

- **IMPORTANT ! LES BATTERIES DOIVENT ÊTRE COMPLÈTEMENT CHARGÉES AVANT CHAQUE UTILISATION. CONSULTER LA SECTION « CHARGEMENT DES BATTERIES ».**
- **IMPORTANT ! SI VOTRE MACHINE EST DOTÉE D'UN CHARGEUR DE BATTERIE EMBARQUÉ, VEUILLEZ CONSULTER LE MANUEL DU FABRICANT POUR OBTENIR DES INSTRUCTIONS SUR LE RÉGLAGE DU CHARGEUR EN FONCTION DU TYPE DE BATTERIE.**

Si votre machine est livrée sans batteries installées, procédez comme suit :

- Consultez votre revendeur Advance agréé pour connaître les modèles de batterie recommandés.
- Installez les batteries en suivant les instructions ci-dessous.
- **N'installez PAS trois batteries de 12 volts dans votre machine. Cela pourrait affecter la stabilité de la machine.**
- **IMPORTANT ! SI VOTRE MACHINE EST DOTÉE D'UN CHARGEUR DE BATTERIE EMBARQUÉ, VEUILLEZ CONSULTER LE MANUEL DU FABRICANT POUR OBTENIR DES INSTRUCTIONS SUR LE RÉGLAGE DU CHARGEUR EN FONCTION DU TYPE DE BATTERIE.**

AVERTISSEMENT !

Soyez très prudent lorsque vous manipulez les batteries. L'acide sulfurique qu'elles contiennent peut provoquer des blessures graves en cas de contact avec la peau ou les yeux. L'évacuation de l'hydrogène explosif présent dans les batteries est réalisée par le biais d'orifices dans les bouchons des batteries. Ce gaz peut être enflammé par un arc électrique, une étincelle ou une flamme. N'installez pas de batterie au plomb acide dans un conteneur ou un boîtier hermétique. Prévoyez l'évacuation de l'hydrogène en cas de surcharges.

Lors de l'entretien des batteries...

- * Retirez tous vos bijoux
- * Ne fumez pas
- * Portez des lunettes de protection, ainsi qu'un tablier et des gants en caoutchouc.
- * Travaillez dans une zone bien aérée.
- * Veillez à ce que les outils ne touchent pas plusieurs bornes de la batterie en même temps.
- * Débranchez TOUJOURS le câble de polarité négative (terre) en premier lors du remplacement des batteries afin d'éviter des étincelles.
- * Branchez TOUJOURS le câble négatif en dernier lors de l'installation des batteries.

ATTENTION !

Les composants électriques de cette machine peuvent être gravement endommagés si les batteries ne sont pas installées et branchées correctement. Nous vous conseillons de faire installer les batteries par un technicien Advance, un électricien qualifié ou le fabricant de la batterie.

Pendant le remplacement des batteries ou du chargeur, veuillez contacter votre centre technique local agréé pour connaître les réglages corrects de la batterie, du chargeur et de la machine afin d'éviter tout dommage.

BATTERIES (SUITE)

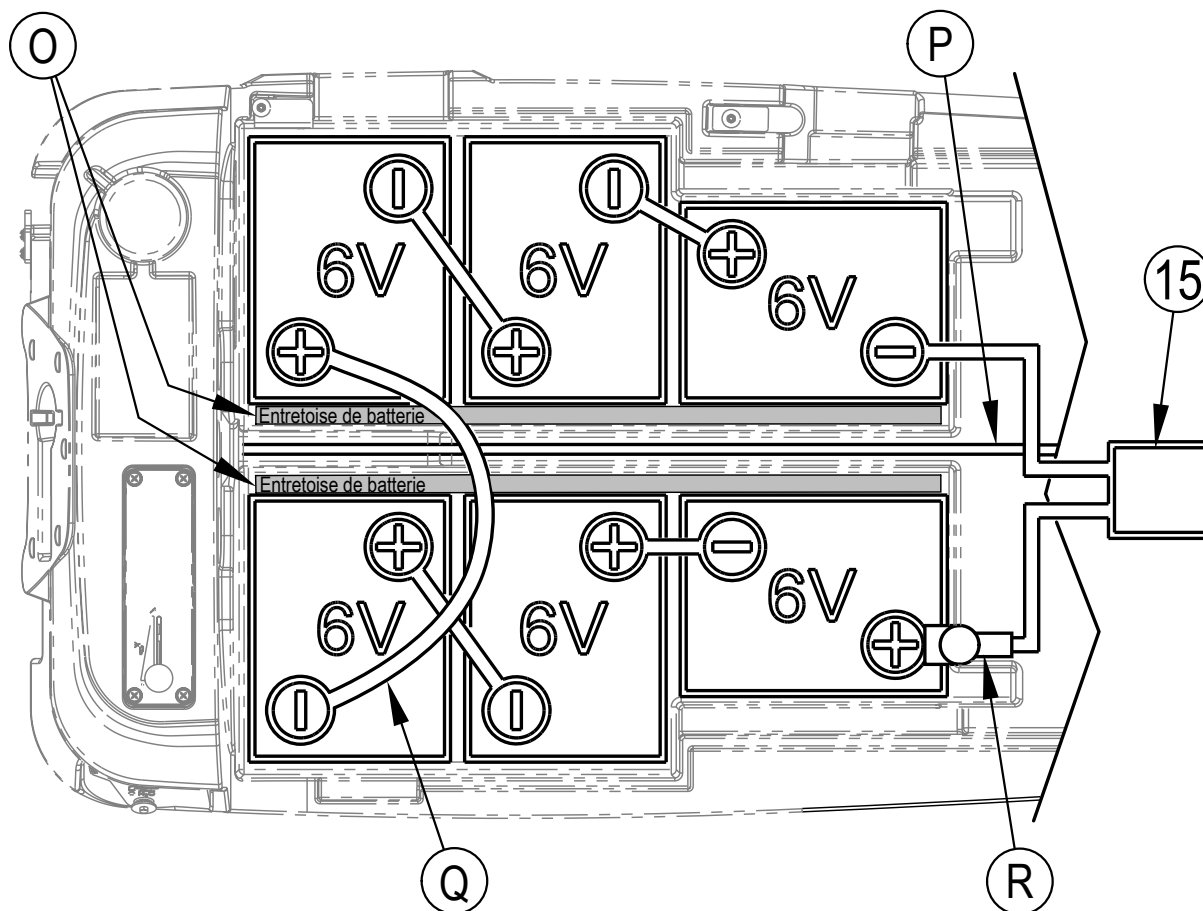
- 1 Enlevez les batteries de leur emballage et inspectez-les avec soin pour vérifier qu'elles ne sont pas fissurées ou endommagées de toute autre manière. Si vous constatez un dommage, contactez immédiatement la société qui vous les a livrées ou le fabricant, afin de remplir une déclaration de dommage de fret.
- 2 Positionnez l'interrupteur principal (A) en position d'arrêt et enlevez la clé.
- 3 Penchez le réservoir de récupération sur le côté et verrouillez la position. Retirez les câbles de batterie hors du compartiment.
- 4 Votre machine vous a été livrée avec suffisamment de câbles pour installer six batteries de 6 V. Placez délicatement les batteries dans le compartiment de batteries et positionnez-les tel qu'illustré à la **Figure 1**. Fixez les batteries le plus à l'arrière possible de la machine.
NOTE : Il est nécessaire d'installer des entretoises de batterie (O) entre la base des batteries et la petite paroi située au fond du réservoir afin de d'augmenter l'espace entre les batteries et d'éviter que le bras du levier du plateau (P) ne vienne frapper contre les batteries.
- 5 Installez les câbles de la batterie comme illustré. Placez les câbles de sorte que les couvercles des batteries puissent être facilement enlevés pour l'entretien de ces dernières. Pour éviter toute interférence, acheminez le câble (Q) sur le sommet du bras du levier du plateau (P) comme illustré à la **Figure 1**.

IMPORTANT ! Les couvercles de protection fournis avec les batteries doivent rester en place ou être réutilisés pour couvrir complètement la partie des bornes de batteries qui n'est pas protégée par les cache-bornes fournis avec les câbles des batteries. Ce point s'applique également à l'embout de protection du porte-fusible en ligne.

- 6 Serrez délicatement l'écrou de chaque borne de batterie jusqu'à ce que la borne ne tourne plus. Toutefois, ne serrez pas trop car les bornes seront très difficiles à enlever lors des futurs entretiens.
- 7 Enduisez les bornes d'un enduit spécialement prévu à cet effet (disponible dans la plupart des magasins de pièces automobiles).
- 8 Placez ensuite les cache-bornes en caoutchouc sur chacune des bornes et connectez le connecteur du bloc-batterie (15).
- 9 Assurez-vous que l'embout de protection du porte-fusible (R) recouvre bien le porte-fusible, l'extrémité câble du connecteur du bloc-batterie (15), et autant de bornes de batteries que possible. Laissez en place les couvercles de protection fournis avec les batteries ou réutilisez-les pour couvrir les zones des bornes qui ne sont pas protégées par les cache-bornes.

FIGURE 1

CAPACITÉ DE 310 AH POUR 20 H



INSTALLATION DES BROSSES (SYSTÈME À DISQUE)

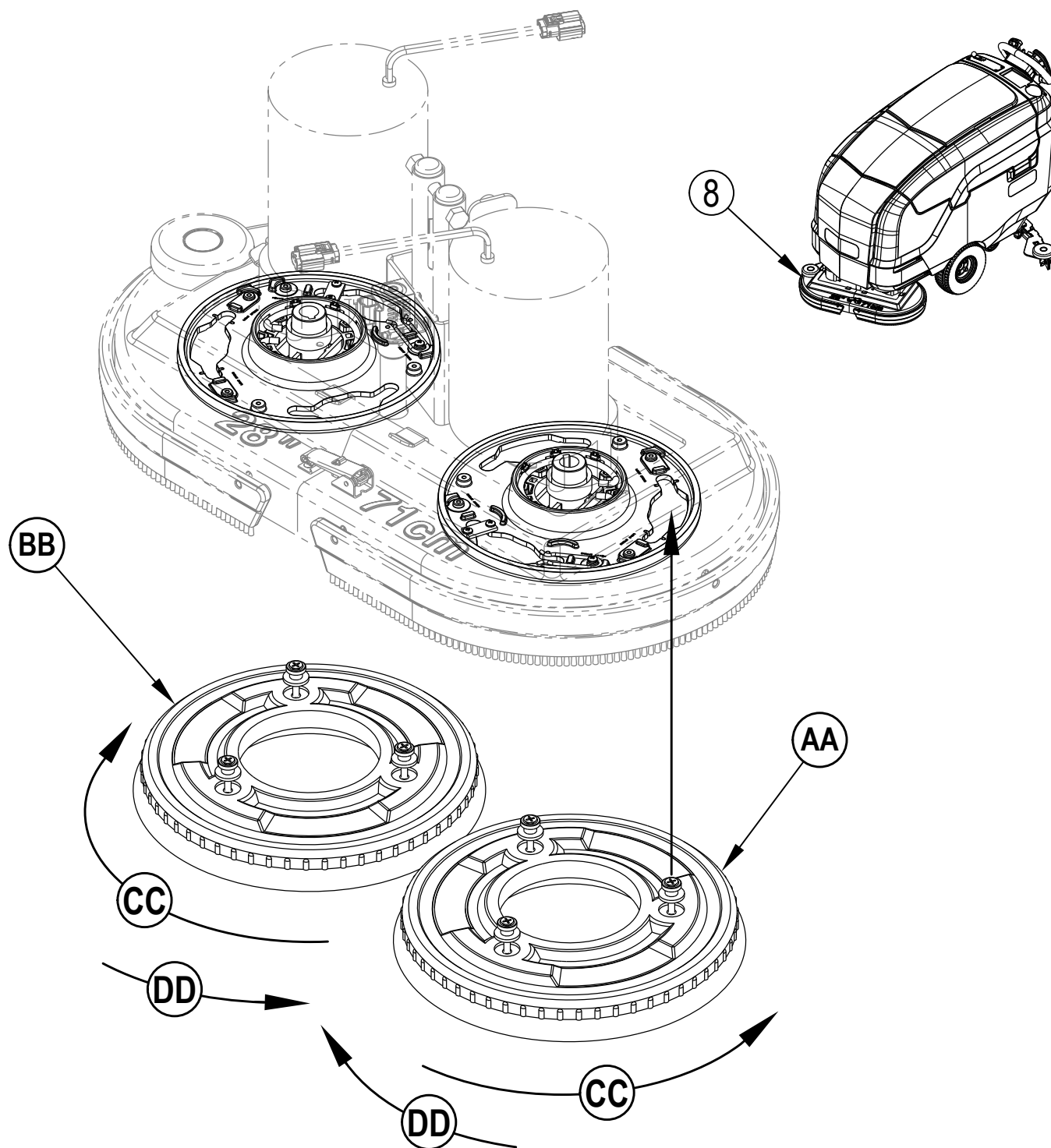
⚠ ATTENTION !

Tournez l'interrupteur à clé en position d'arrêt (O) et enlevez la clé avant de remplacer les brosses et d'ouvrir un panneau d'accès.

- 1 Assurez-vous que le plateau de lavage (8) est en position HAUTE. Assurez-vous que l'interrupteur à clé (A) est en position d'arrêt (O).
- 2 Si vous utilisez des tampons, installez-les sur leurs supports.
- 3 **Voir Figure 2.** Pour monter les brosses (AA) (ou supports de tampon), alignez les oreilles (BB) de la brosse avec les orifices du plateau de montage et tournez pour bloquer en place (faites tourner le bord extérieur de la brosse vers l'arrière de la machine, comme illustré (CC)).

NOTE : Pendant l'utilisation, les brosses doivent tourner dans le sens (DD).

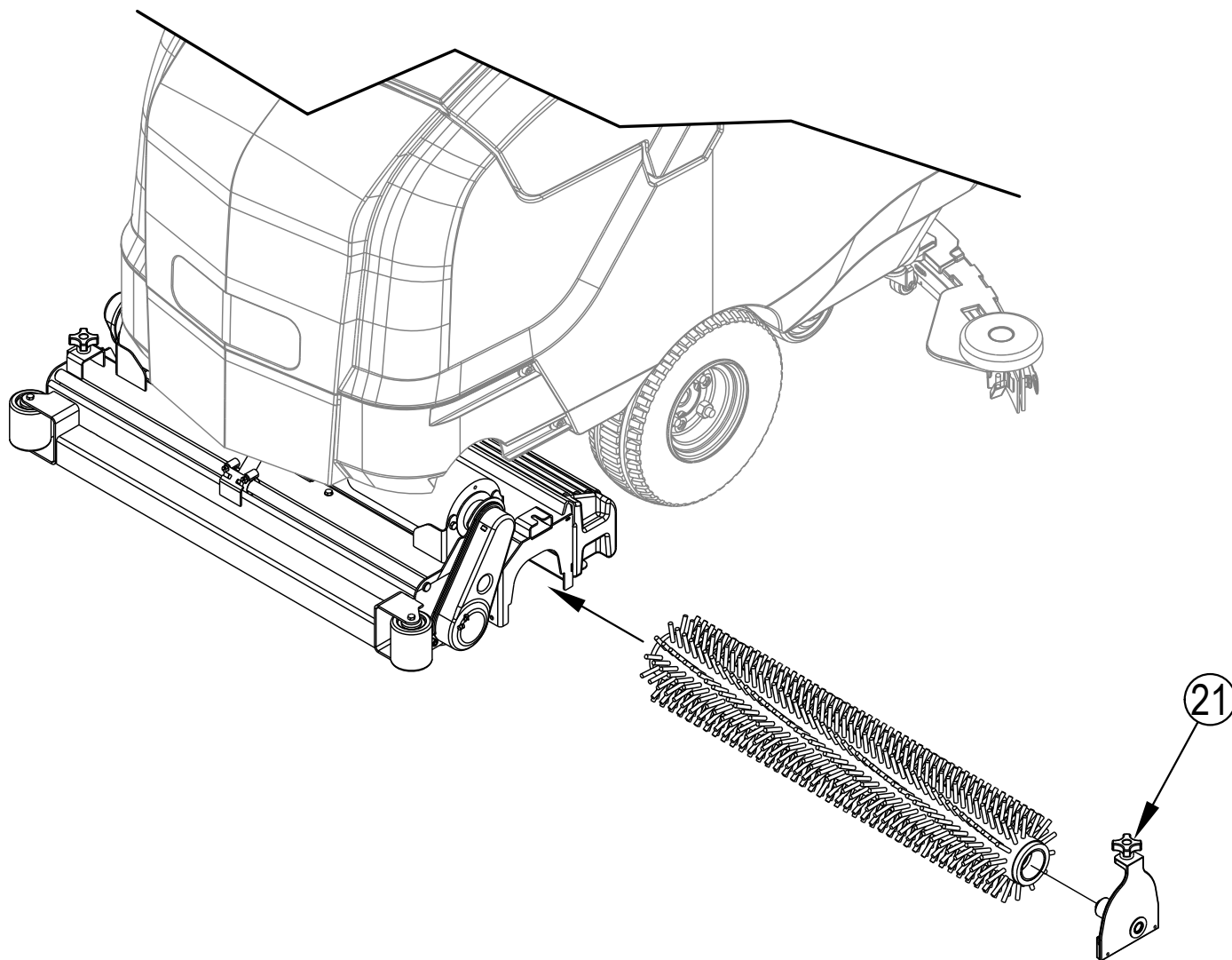
FIGURE 2



INSTALLATION DES BROSSES (SYSTÈME CYLINDRIQUE)**⚠ ATTENTION !**

Tournez l'interrupteur à clé en position d'arrêt (O) et enlevez la clé avant de remplacer les brosses et d'ouvrir un panneau d'accès.

- 1 Assurez-vous que le plateau de brosse est en position HAUTE. Assurez-vous que l'interrupteur à clé (A) est en position d'arrêt (O).
- 2 **Voir Figure 3.** Pour accéder aux brosses, desserrez les boutons noirs (un de chaque côté) situés au-dessus du bras de renvoi (21) et retirez ce dernier. Faites glisser la brosse dans le compartiment, soulevez-la légèrement et poussez en tournant jusqu'à ce qu'elle soit en position. Réinstallez les bras de renvoi.

FIGURE 3

REPLISSAGE DU RÉSERVOIR DE SOLUTION

Remplissez le réservoir de solution avec 113,5 litres (maximum) de solution de lavage. Remplissez le réservoir de solution en laissant un espace de 7,5 cm entre le liquide et la base du goulot de remplissage (1). La solution doit être composée d'eau et d'un agent chimique adapté au nettoyage à effectuer. Respectez toujours les instructions de dilution figurant sur le récipient du produit chimique. **NOTE** : Les machines EcoFlex peuvent être utilisées de manière classique en mélangeant le détergent dans le réservoir ou en utilisant le système de distribution de détergent.

⚠ ATTENTION !

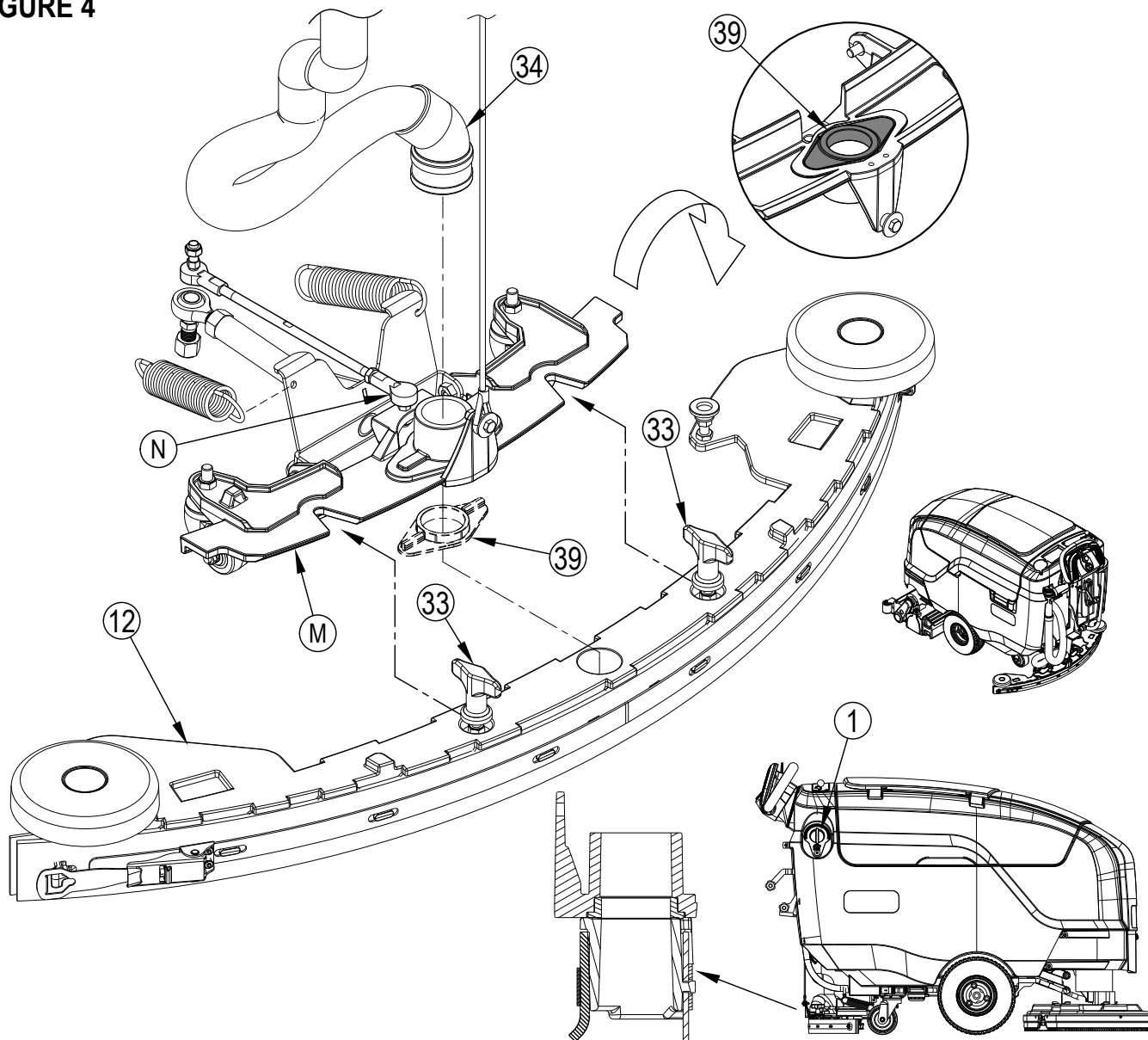
Veillez à n'utiliser que des produits de lavage peu moussants et ininflammables adaptés aux autolaveuses. La température de l'eau ne doit pas dépasser 130 degrés Fahrenheit (54,4 degrés Celsius).

INSTALLATION DE LA RACLETTE

- 1 Voir Figure 4. Vérifiez que le joint de la raclette (39) n'est pas sale et qu'il est installé sur le support de fixation de la raclette (M).
- 2 Faites glisser la raclette (12) sur le support de fixation de la raclette (M) et vissez les écrous à ailettes du support de la raclette (33). **IMPORTANT ! SERREZ À LA MAIN LES ÉCROUS À AILETTES DE LA RACLETTE, N'UTILISEZ AUCUN OUTIL.**
- 3 Raccordez le tuyau de récupération (34) à l'entrée de la raclette.
- 4 Le support de fixation de la raclette (M) dispose d'une position réglée en usine afin que la lame arrière de la raclette touche le sol de manière uniforme sur toute sa largeur et soit légèrement recourbée comme illustré.

NOTE : Un technicien peut régler le tendeur (N) pour modifier l'angle de la raclette si nécessaire.

FIGURE 4



PRÉPARATION ET UTILISATION DU SYSTÈME DE DÉTERGENT (MODÈLES ECOFLEX UNIQUEMENT)

INSTRUCTIONS COMMUNES :

Les résidus d'ancien détergent doivent être vidangés avant d'utiliser un détergent différent. **NOTE POUR L'ENTRETIEN** : déplacez la machine sur une bouche d'écoulement avant la vidange car une petite quantité de détergent s'écoulera lors de ce processus.

Vidange hebdomadaire ou lors du changement de produits chimiques :

- 1 Débranchez et retirez la cartouche de détergent. Installez et branchez une cartouche remplie d'eau propre et amenez la machine vers une bouche d'écoulement.
- 2 **Voir Figure 5.** Placez l'interrupteur principal (**A**) en position de marche (ON). Tournez le bouton de contrôle de vitesse (**B**) jusqu'au minimum. Tournez le bouton de solution (**H**) et le bouton de détergent (**J**) jusqu'au maximum. Baissez le plateau de lavage et appuyez sur le levier de marche (**C**) avant pendant 1 minute pour faire couler l'eau à travers le système EcoFlex. En général, un seul cycle de vidange suffit pour vidanger le système.
- 3 Vérifiez la cartouche (**7a**) visuellement pour déterminer si elle est vide. Vous devriez pouvoir verser la totalité d'une bouteille de 1 gallon (3,80 litres) de détergent dans la cartouche afin de la remplir sans vous préoccuper de la quantité de détergent à utiliser.

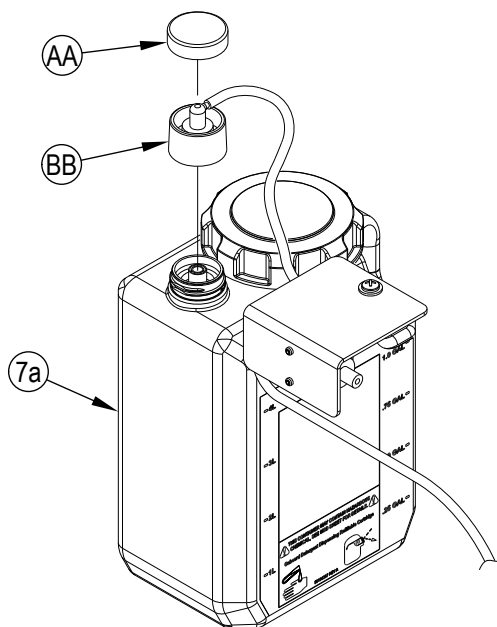
Taux de détergent :

- 1 **Voir Figure 5.** Le débit de la solution est contrôlé en tournant à la main le bouton de la solution (**H**) qui permet de modifier le débit de 0 à 1 gallon par minute (gpm) (0 à 3,80 litres par minute).
- 2 Le bouton de détergent (**J**) modifie la concentration de détergent de 400:1 à 32:1. Sélectionnez manuellement la position centrale du taux désiré, qui est codé par couleur sur le module de détergent (**G, 7b**), les réglages étant énumérés sur l'autocollant des réglages du produit chimique. Vert=1/2 oz./gallon, Bleu=1 oz./gallon, Jaune=2 oz./gallon, Rouge=3 oz./gallon.
Le taux de détergent varie. Vous pouvez l'appauvrir ou l'enrichir en partant de la position centrale du taux désiré.
- 3 Les deux boutons ont des petites zones mortes aux deux extrémités. La zone morte inférieure désactive cette fonction (solution = 0 gpm ou détergent = 1:0). La zone morte supérieure règle cette fonction sur le taux maximum (solution = 1 gpm ou détergent = 32:1).
- 4 L'interrupteur de puissance supplémentaire (**K**) active et désactive la fonction de puissance supplémentaire. La puissance supplémentaire augmente le débit de solution de 0,33 gpm (1,25 lpm) et double la concentration de détergent pendant 60 secondes. Quand elle est activée, cette fonction peut être désactivée en appuyant simplement sur l'interrupteur de puissance supplémentaire (**K**).
- 5 Le voyant de l'interrupteur de puissance supplémentaire (**L**) s'allume pendant le lavage. Normalement, le voyant reste allumé en continu, mais il clignote quand la fonction de puissance supplémentaire est active. La vitesse de ce clignotement augmente pendant les 10 dernières secondes de la deuxième temporisation de 60 secondes.

INSTRUCTIONS SPÉCIFIQUES POUR LA CARTOUCHE :

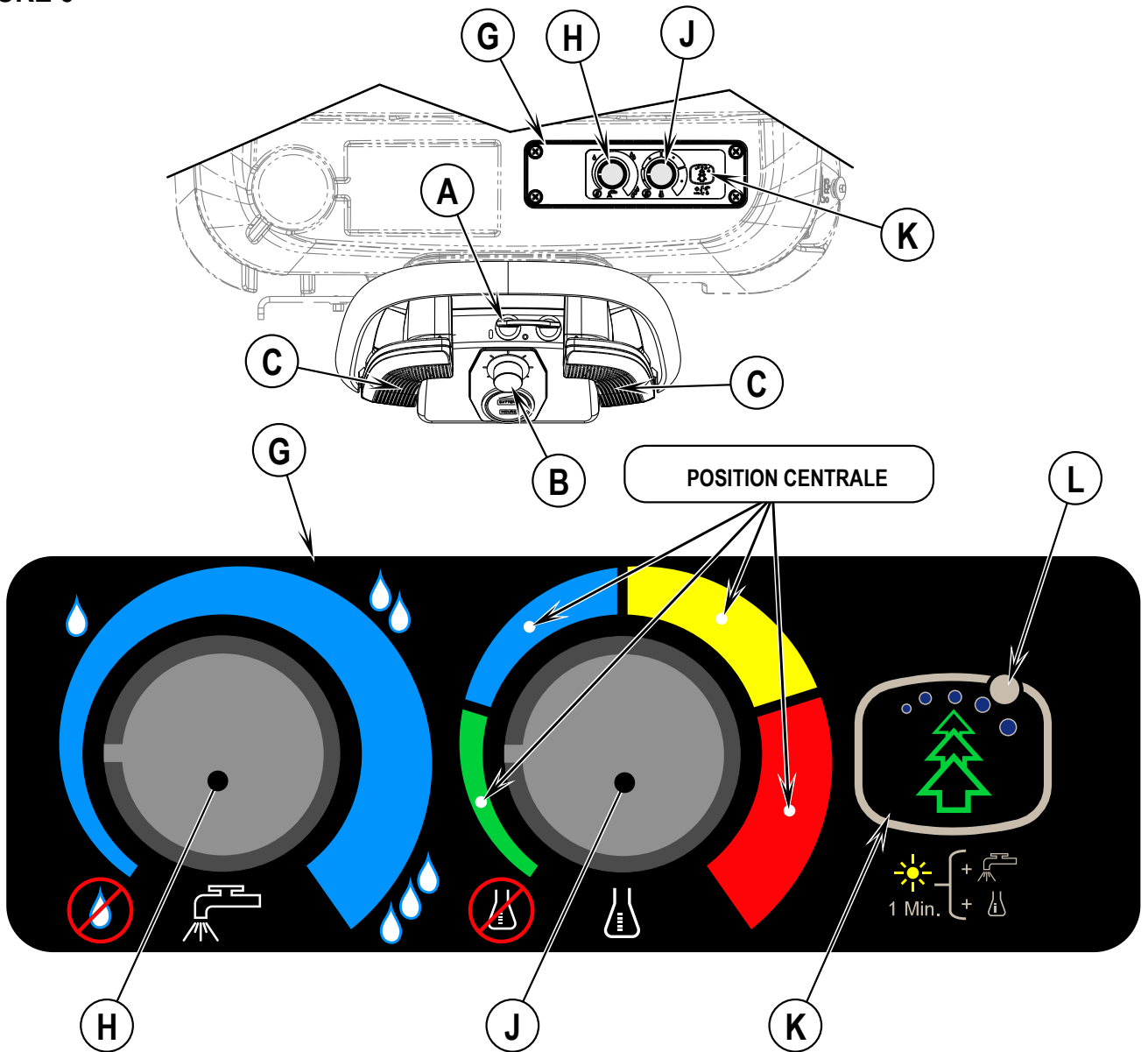
Remplissez la cartouche de détergent (**7a**) avec 1,25 gallons (4,73 litres) maximum de détergent. **NOTE POUR L'ENTRETIEN** : Retirez la cartouche de détergent de la machine avant de la remplir afin d'éviter de renverser du détergent sur la machine.

Nous vous recommandons d'utiliser une cartouche différente pour chaque détergent à utiliser. Les cartouches de détergent comportent un autocollant blanc afin de pouvoir écrire le nom du détergent sur chaque cartouche et éviter de les mélanger. Lorsque vous installez une nouvelle cartouche, retirez le bouchon (**AA**) et placez la cartouche dans le boîtier du détergent. Installez le bouchon de frein sec (**BB**) comme indiqué.



PRÉPARATION ET UTILISATION DU SYSTÈME DE DÉTERGENT (MODÈLES ECOFLEX UNIQUEMENT)

FIGURE 5



CHEMICAL SETTINGS

QUANTITY	%	RATIO	COLOR
0.5 Oz/gal	0.4%	1:256	
1 Oz/gal	0.8%	1:128	
2 Oz/gal	1.6%	1:64	
3 Oz/gal	2.3%	1:43	

LAVAGE HUMIDE

AVERTISSEMENT !

Assurez-vous de bien comprendre les commandes et leurs fonctions. Évitez les arrêts soudains lorsque la machine en charge se trouve sur des rampes ou des pentes. Évitez les virages serrés. Adoptez une vitesse réduite lorsque la machine est en descente.

Ne nettoyez les sols que lorsque la machine monte la pente.

- 1 Suivez les instructions de la section Préparation de la machine à l'utilisation du présent manuel.
- 2 Placez l'interrupteur à clé (A, 28) en position de marche (I). Vous verrez alors les voyants du panneau de commande s'allumer, consultez le compteur horaire / batterie sur l'affichage (F, 27).
- 3 Pour transporter la machine jusqu'à la zone de travail, partez avec vos mains sur la poignée de commande de l'opérateur (D, 2). Poussez le levier de marche (C, 23) pour avancer ou tirez le levier de marche (C, 23) vers l'arrière pour déplacer la machine en arrière. Appuyez plus ou moins fort sur le levier de marche (C, 23) afin d'obtenir la vitesse souhaitée.

REMARQUE : le bouton de contrôle de vitesse (B, 26) sert à contrôler la vitesse maximale en marche avant ou arrière.

- 4 Arrêtez la machine en relâchant le levier de marche (C, 23).
- 5 Utilisez le levier du plateau de lavage (32) pour abaisser le plateau (la machine est maintenant prête à laver quand elle commencera à bouger). Utilisez le levier du plateau de lavage (32) pour augmenter la pression de lavage en verrouillant le levier à la position moyenne ou haute sur le support du levier du plateau. **VOIR DÉTAIL 1.**

Lors de l'utilisation de la position de lavage haute pour des applications énergiques, une surcharge du moteur de la brosse pourrait survenir et entraîner le déclenchement des disjoncteurs du moteur de la brosse afin de protéger le moteur contre tout dommage. Si ce phénomène se répète souvent, évitez de régler la pression haute ou installez le kit de lavage puissant P/N 56115458.

- 6 Utilisez le levier de contrôle de la solution (E) pour réguler la quantité de solution à distribuer. La solution est distribuée uniquement pendant le lavage. **Modèles EcoFlex uniquement :** Utilisez le Module de détergent (G, 7b) pour réguler la quantité de solution et de détergent à distribuer.
- 7 Abaissez la raclette avec le levier de levage / abaissement (30). Le moteur d'aspiration s'allumera lorsque la raclette sera abaissée et il s'arrêtera quand elle sera relevée.
- 8 Lorsque le levier de marche (C, 23) n'est pas enfoncé ou tiré et que la machine est immobile, les systèmes de lavage, solution et détergent (modèles EcoFlex) se mettent en pause. Saisissez la poignée de commande de l'opérateur (2) et appuyez sur le levier de marche (C, 23) pour aller en avant ou tirez en arrière le levier de marche (C, 23) pour aller en arrière afin de reprendre le lavage. Pour de meilleurs résultats, déplacez la machine à la vitesse des pas d'homme lents.

ATTENTION !

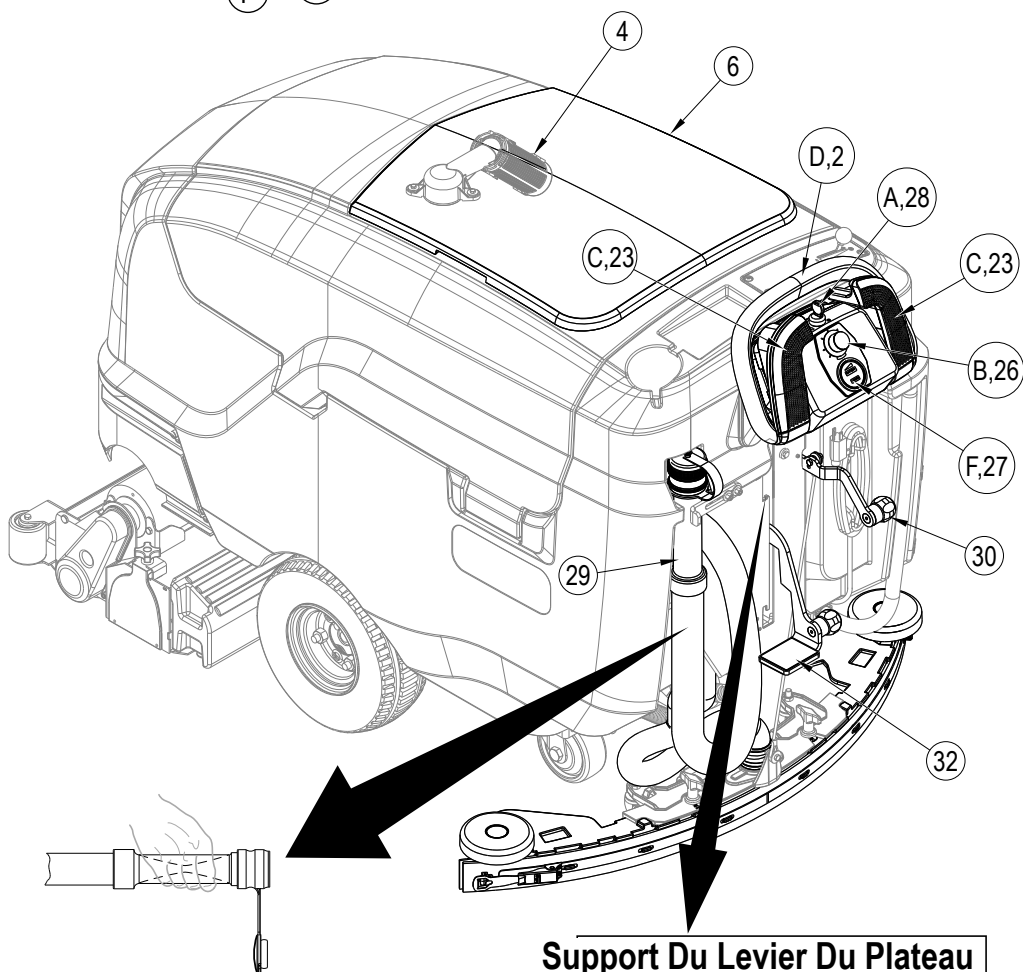
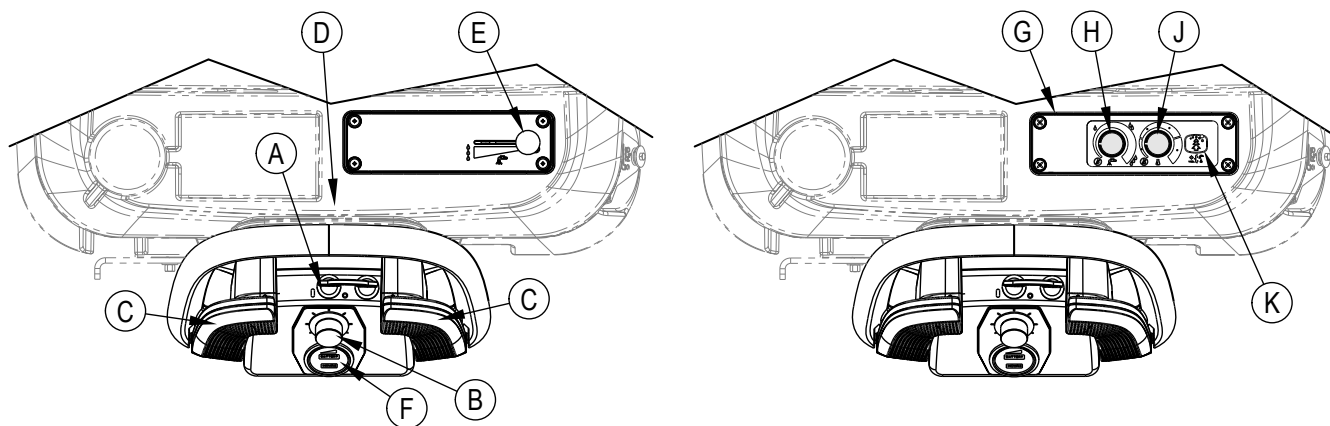
Pour éviter d'endommager le sol, maintenez toujours la machine en mouvement lorsque les brosses tournent.

- 9 Lorsque vous nettoyez, assurez-vous, après votre passage, qu'il ne reste plus d'eau sale sur le sol. Si vous remarquez des traînées d'eau derrière la machine, il se peut que cette dernière distribue trop de solution, que le réservoir de récupération soit plein ou que la raclette soit mal réglée.
- 10 Pour les sols extrêmement sales, il se peut qu'un seul passage ne suffise pas et que vous deviez adopter la technique des « deux passages ». Cette technique est fort semblable à la méthode habituelle. La seule différence réside dans le fait que lors du premier passage, la raclette est relevée. La solution de lavage peut ainsi agir plus longtemps sur le sol. Lors du deuxième et dernier passage, la raclette est abaissée afin de ramasser la solution accumulée.
- 11 Le réservoir de récupération est doté d'un système de fermeture à flotteur (4) qui provoque un changement de pas du moteur d'aspiration. Si ce flotteur est activé, vous devez vider le réservoir de récupération. Quand le flotteur est activé, la machine ne ramasse plus l'eau. **NOTE :** Videz la cage collectrice de débris chaque fois que vous vidangez le réservoir de récupération.
- 12 Quand l'opérateur veut arrêter de laver ou quand le réservoir de récupération est plein ;
- 13 Soulevez le plateau et levez la raclette quand toute l'eau sale a été récupérée.
- 14 Conduisez la machine vers un « SITE DE DÉCHARGE » des eaux usées et videz le réservoir de récupération. Pour la vidange, retirez le tuyau de vidange du réservoir de récupération (29) de son dispositif de rangement, puis retirez le bouchon (maintenez l'extrémité du tuyau au-dessus du niveau d'eau du réservoir afin d'éviter tout déversement accidentel d'eaux usées). Vous pouvez également comprimer le tuyau de vidange du réservoir de récupération (29) pour réguler le débit. Remplissez le réservoir de solution et poursuivez le lavage.

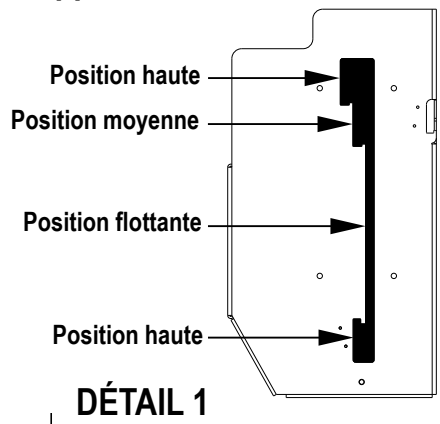
NOTE : Assurez-vous que le couvercle du réservoir de récupération (6) et le bouchon du tuyau de vidange du réservoir de récupération (29) sont bien en place, ou la machine ne ramassera pas l'eau correctement. Quand les batteries doivent être rechargées, le 2^e voyant (à partir de la gauche) du compteur horaire / batterie (F, 27) clignote pour indiquer que la batterie est déchargée à 70 %. À 80 % de décharge, l'écran fait clignoter en alternance les 2 DEL gauches pour indiquer une capacité restante très basse. À ce niveau, les systèmes de lavage sont désactivés pour protéger la batterie. Le système d'aspiration continue à fonctionner afin que la solution restant sur le sol soit récupérée. Transportez la machine vers une zone d'entretien et rechargez les batteries conformément aux instructions de la section Batterie de ce manuel.

NOTE POUR L'ENTRETIEN : consultez le manuel d'entretien pour obtenir des descriptions détaillées de toutes les commandes.

LAVAGE HUMIDE



Support Du Levier Du Plateau



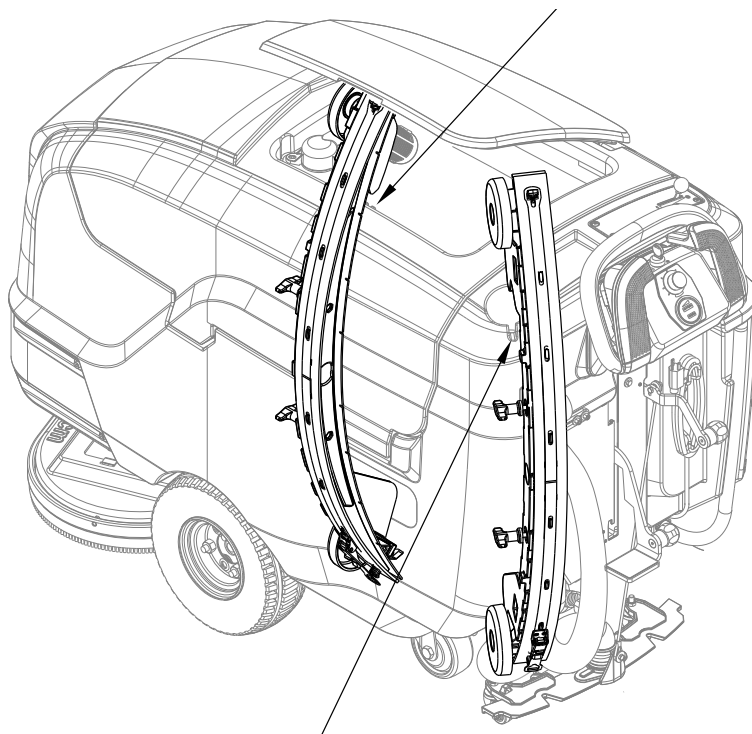
DÉTAIL 1

APRÈS L'UTILISATION

- 1 Relevez les brosses (ou tampons) ainsi que la raclette. Conduisez la machine dans une zone d'entretien.
- 2 Positionnez l'interrupteur principal **(A)** en position d'arrêt et enlevez la clé.
- 3 Pour vider le réservoir de solution, retirez le tuyau de vidange **(31)** du connecteur supérieur. Dirigez le tuyau de vidange vers une bouche d'écoulement ou un seau. Rincez le réservoir à l'eau claire. Vérifiez les tuyaux de solution et remplacez-les s'ils sont endommagés ou présentent une quelconque anomalie.
- 4 Pour vider le réservoir de récupération, retirez le tuyau de vidange du réservoir de récupération **(29)** de son dispositif de rangement, puis retirez le bouchon (maintenez l'extrémité du tuyau au-dessus du niveau d'eau du réservoir afin d'éviter tout déversement accidentel d'eaux usées). Vous pouvez également comprimer le tuyau de vidange du réservoir de récupération **(29)** pour réguler le débit. Rincez le réservoir de récupération et le flotteur de fermeture **(4)** avec de l'eau propre. Vérifiez les tuyaux de récupération et d'aspiration, et remplacez-les s'ils sont endommagés ou présentent une quelconque anomalie.
- 5 Enlevez les supports de brosses ou les porte-tampons. Rincez les brosses ou tampons à l'eau chaude et pendez-les pour qu'ils sèchent. Laissez sécher complètement les tampons de lustrage avant de les réutiliser. **NOTE** : Vous devez enlever les brosses manuellement sur tous les **modèles SC901**).
- 6 Enlevez la raclette, rincez-la à l'eau chaude et pendez-la pour qu'elle sèche.
- 7 **Voir Figure 6.** Utilisez les emplacements de stockage du réservoir de récupération ou du support de bouteille pour suspendre la raclette.
- 8 Consultez le programme d'entretien ci-dessous et effectuez toutes les opérations requises avant de ranger la machine.
- 9 Rangez la machine dans un endroit sec et propre à l'intérieur d'un bâtiment. Maintenez-la à l'abri du gel. Laissez les réservoirs ouverts pour les aérer.
- 10 Placez l'interrupteur à clé **(A)** en position d'arrêt **(O)** et enlevez la clé.
- 11 Les batteries sont les pièces de rechange les plus chères de cette machine. Pour protéger votre investissement et réaliser autant de cycles de nettoyage que possible, gardez les points suivants à l'esprit :
 - Lors de l'installation des batteries, assurez-vous que la machine et le chargeur sont programmés en fonction du type de batterie correct.
 - Les batteries durent plus longtemps si leur pleine charge est maintenue.
 - Les batteries tombent en panne prématurément si elles sont entreposées en étant déchargées.
 - Les chargeurs de batteries ne chargent pas les batteries de manière excessive ou insuffisante.
 - Après chaque utilisation journalière, le chargeur de batterie doit être branché et il doit fonctionner pendant une séquence de charge complète pour charger entièrement les batteries. Cette opération peut durer 8 à 12 heures en fonction de l'état de la batterie.
 - Branchez toujours le chargeur à une prise c.a. si la machine n'est pas utilisée pendant une période prolongée afin que la ou les batteries restent chargées.
 - Laisser les batteries se décharger ne présente aucun avantage. Le fait que les batteries ne sont pas complètement déchargées ne vous autorise pas à sauter la mise en charge.

FIGURE 6

Emplacement de stockage de la raclette au niveau du réservoir de récupération



Emplacement de stockage de la raclette au niveau du support de bouteille

PROGRAMME D'ENTRETIEN

ÉLÉMENT	Tous les jours	Toutes les semaines	Tous les mois	Tous les ans
Chargement des batteries	X			
Vérification / nettoyage des réservoirs et tuyaux	X			
Vérification / nettoyage des brosses / tampons	X			
Vérification / nettoyage de la raclette	X			
Vérification / nettoyage du système de fermeture à flotteur de l'aspiration	X			
Vidage / nettoyage du bac collecteur de débris dans le réservoir de récupération	X			
Vérification du niveau d'eau de chaque cellule de batterie		X		
Inspection des bavettes du compartiment de lavage		X		
Inspection et lavage du filtre de solution		X		
Vidange du système de détergent		X		
Graissage de la machine			X	
*Vérification des balais de carbone				X

* Demandez à un centre technique agréé Advance de vérifier les balais de carbone du moteur d'aspiration une fois par an ou toutes les 300 heures de fonctionnement. Les balais de carbone des moteurs des brosses et du moteur d'entraînement doivent être vérifiés chaque année ou toutes les 500 heures de fonctionnement.

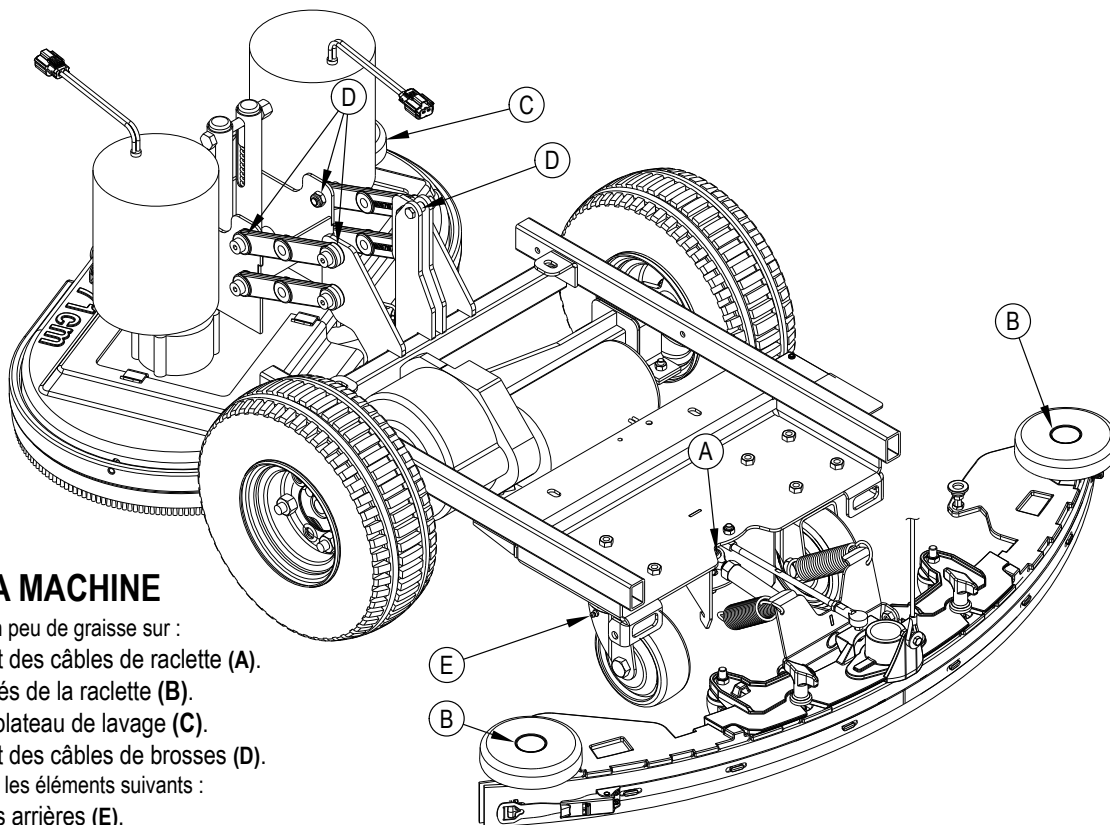
NOTE : Pour de plus amples informations sur l'entretien et les pièces de rechange, reportez-vous au Manuel d'entretien.

ENTRETIEN DU MOTEUR D'ASPIRATION

Demandez à votre revendeur Advance de vérifier les brosses de carbone du moteur d'aspiration une fois par an ou toutes les 300 heures de fonctionnement.

⚠ IMPORTANT !

Les dommages occasionnés au moteur suite à un manque d'entretien des balais de carbone ne sont pas couverts par la garantie. Consultez la Déclaration de responsabilité limitée.



GRAISSAGE DE LA MACHINE

Une fois par mois, appliquez un peu de graisse sur :

- Tous les points de pivot des câbles de raclette (A).
- Les roues aux extrémités de la raclette (B).
- Le galet pare-choc du plateau de lavage (C).
- Tous les points de pivot des câbles de brosses (D).

Une fois par trimestre, graissez les éléments suivants :

- Les pivots des roulettes arrière (E).

CHARGEMENT DES BATTERIES HUMIDES

Chargez les batteries à chaque utilisation de la machine ou lorsque le compteur horaire / indicateur de batterie (F) indique qu'elles ne sont pas complètement chargées.

AVERTISSEMENT !

Ne remplissez pas les batteries avant de les charger.

Chargez les batteries dans une zone bien aérée.

Ne fumez pas lorsque vous procédez à l'entretien des batteries.

Lors de l'entretien des batteries...

- * Retirez tous vos bijoux.
- * Ne fumez pas.
- * Portez des lunettes de protection, ainsi qu'un tablier et des gants en caoutchouc.
- * Travaillez dans une zone bien aérée.
- * Veillez à ce que les outils ne touchent pas plusieurs bornes de batterie en même temps.
- * Débranchez TOUJOURS le câble de polarité négative (terre) en premier lors du remplacement des batteries afin d'éviter des étincelles.
- * Branchez TOUJOURS le câble négatif en dernier lors de l'installation des batteries.

Si votre machine est livrée avec un chargeur de batterie embarqué, procédez comme suit :

Placez l'interrupteur à clé (A) en position d'arrêt. Déroulez le cordon d'alimentation sur le côté du chargeur embarqué et branchez-le à une prise correctement reliée à la terre.

Consultez le manuel du fabricant pour obtenir des consignes plus détaillées sur l'utilisation.

Si votre machine est livrée sans chargeur de batterie embarqué, procédez comme suit :

Débranchez les batteries de la machine et assurez-vous d'enfoncer le connecteur du chargeur dans le connecteur du bloc-batterie (15). Suivez les instructions figurant sur le chargeur de batterie.

ATTENTION !

Pour éviter d'endommager le sol, essuyez l'eau et l'acide situés au sommet des batteries après un chargement.

VÉRIFICATION DU NIVEAU D'EAU DES BATTERIES

Vérifiez le niveau d'eau des batteries au moins une fois par semaine.

Après le chargement des batteries, enlevez les bouchons à évent et vérifiez le niveau d'eau dans chaque cellule de batterie. Utilisez un distributeur rempli d'eau distillée ou déminéralisée (disponible dans la plupart des magasins de pièces automobiles) pour remplir chaque cellule jusqu'à l'indicateur de niveau (ou jusqu'à 10 mm au-dessus de la partie supérieure des séparateurs). NE remplissez PAS trop les batteries !

ATTENTION !

De l'acide peut être projeté sur le sol si les batteries sont trop remplies.

Serrez les bouchons à évent. Lavez les sommets des batteries avec une solution de bicarbonate de soude et d'eau (2 cuillères à soupe de bicarbonate de soude pour 1 litre d'eau).

CHARGEMENT DES BATTERIES SÈCHES (VRLA)

Chargez les batteries à chaque utilisation de la machine ou lorsque le compteur horaire / indicateur de batterie (F) indique qu'elles ne sont pas complètement chargées.

AVERTISSEMENT !

Chargez les batteries dans une zone bien aérée.

Ne fumez pas lorsque vous procédez à l'entretien des batteries.

Lors de l'entretien des batteries...

- * Retirez tous vos bijoux.
- * Ne fumez pas.
- * Portez des lunettes de protection, ainsi qu'un tablier et des gants en caoutchouc.
- * Travaillez dans une zone bien aérée.
- * Veillez à ce que les outils ne touchent pas plusieurs bornes de batterie en même temps.
- * Débranchez TOUJOURS le câble de polarité négative (terre) en premier lors du remplacement des batteries afin d'éviter des étincelles.
- * Branchez TOUJOURS le câble négatif en dernier lors de l'installation des batteries.

ATTENTION !

La batterie au plomb à régulation par soupape (VRLA) vous offrira des performances et une durée de vie supérieures UNIQUEMENT SI VOUS LA RECHARGEZ CORRECTEMENT ! Un chargement insuffisant ou excessif réduira la durée de vie de la batterie et limitera ses performances. Assurez-vous de SUIVRE ATTENTIVEMENT LES INSTRUCTIONS DE CHARGEMENT ! N'ESSAYEZ PAS D'OUVRIR CETTE BATTERIE ! Si vous ouvrez une batterie VRLA, elle perdra sa pression et les plaques seront contaminées par l'oxygène. LA GARANTIE SERA ANNULÉE SI LA BATTERIE EST OUVERTE.

Si votre machine est livrée avec un chargeur de batterie embarqué, procédez comme suit :

Placez l'interrupteur à clé (A) en position d'arrêt. Déroulez le cordon d'alimentation sur le côté du chargeur embarqué et branchez-le à une prise correctement reliée à la terre.

Consultez le manuel du fabricant pour obtenir des consignes plus détaillées sur l'utilisation.

Si votre machine est livrée sans chargeur de batterie embarqué, procédez comme suit :

Débranchez les batteries de la machine et assurez-vous d'enfoncer le connecteur du chargeur dans le connecteur du bloc-batterie (15). Suivez les instructions figurant sur le chargeur de batterie.

IMPORTANT : Assurez-vous d'utiliser un chargeur adapté aux batteries à cellule sèche. Utilisez uniquement des chargeurs « à tension régulée » ou « à tension limitée ». N'utilisez JAMAIS des chargeurs standards à courant constant ou à courant alternatif. Il est recommandé d'utiliser un chargeur à détection de température, car les réglages manuels manquent de précision et risquent d'endommager toutes les batteries VRLA.

ENTRETIEN DE LA RACLETTE

Si la raclette ne ramasse pas toute l'eau ou laisse des traces derrière elle, il est possible que ses lames soient sales ou endommagées. Enlevez la raclette, rincez-la sous l'eau chaude et vérifiez les lames. Si les lames sont abîmées, tordues ou usées, remplacez-les ou retournez-les.

Pour retourner ou remplacer la lame arrière de la raclette...

- 1 Voir Figure 7. Soulevez la raclette du sol, puis déverrouillez le loquet de retrait de la lame arrière de la raclette (37) situé sur celle-ci.
- 2 Retirez la sangle de tension (35).
- 3 Faites glisser la lame arrière hors des goupilles de positionnement (36).
- 4 Cette lame de raclette présente 4 chants de travail. Tournez la lame de sorte qu'un chant propre et non endommagé pointe vers l'avant de la machine. Si les 4 chants sont très abîmés, tordus ou usés, remplacez la lame.
- 5 Installez la lame en suivant ces étapes dans l'ordre inverse et réglez l'angle de la raclette si nécessaire.

Pour retourner ou remplacer la lame avant de la raclette...

- 1 Soulevez la raclette du sol, puis desserrez les (2) écrous à oreilles (33) situés au sommet de la raclette. Débranchez le tuyau de récupération (34) et enlevez la raclette (12) du support.
- 2 Desserrez le bouton de retrait de la lame avant de la raclette (AA), puis enlevez la sangle de tension (AB) et la lame.
- 3 Cette lame de raclette présente 4 chants de travail. Tournez la lame de sorte qu'un chant propre et non endommagé pointe vers l'avant de la machine. Si les 4 chants sont très abîmés, tordus ou usés, remplacez la lame.
- 4 Installez la lame en suivant ces étapes dans l'ordre inverse et réglez l'angle de la raclette si nécessaire.

RÉGLAGE DE LA RACLETTE

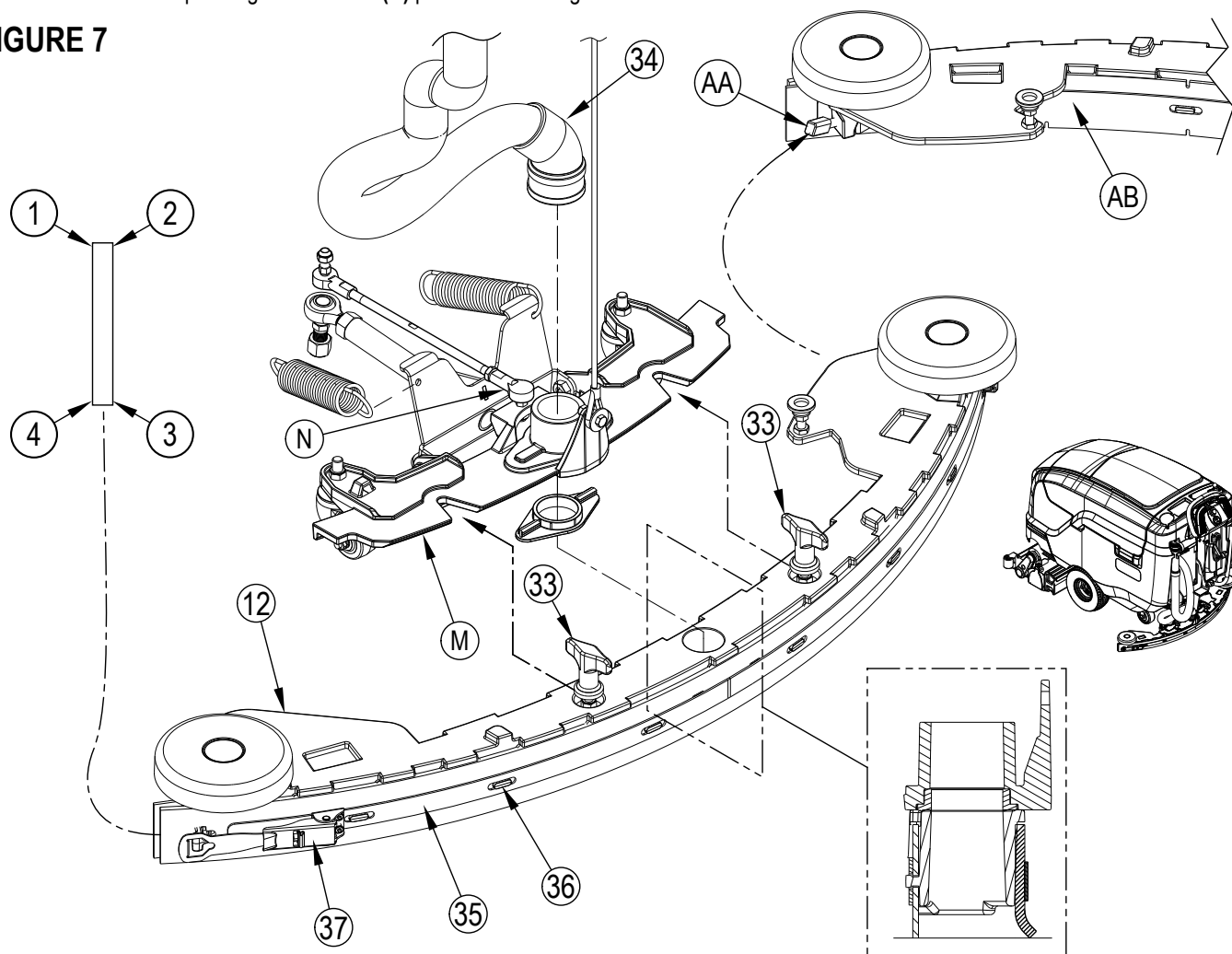
Ce réglage doit être effectué à chaque fois qu'une lame est retournée ou remplacée, ou si le sol n'est pas sec après le passage de la raclette.

Pour régler l'angle de la raclette...

- 1 Garez la machine sur une surface plane et uniforme, puis abaissez la raclette.
- 2 Le support de fixation de la raclette (M) dispose d'une position réglée en usine afin que la lame arrière de la raclette touche le sol de manière uniforme sur toute sa largeur et soit légèrement recourbée comme illustré.

NOTE : Un technicien peut régler le tendeur (N) pour modifier l'angle de la raclette si nécessaire.

FIGURE 7



DÉPANNAGE GÉNÉRAL DE LA MACHINE

Problème	Cause possible	Solution
Mauvaise récupération de l'eau	Lames de raclette usées ou tordues	Retourner ou remplacer
	Raclette mal réglée	Régler les lames de telle sorte qu'elles touchent le sol de manière uniforme sur toute leur largeur
	Joint de la raclette bouché ou absent	Nettoyer ou remplacer le joint de la raclette
	Réservoir de récupération plein	Vider le réservoir de récupération
	Fuite au niveau du tuyau de vidange du réservoir de récupération	Serrer le bouchon du tuyau de vidange ou remplacer
	Fuite au niveau du joint du couvercle du réservoir de récupération	Remplacer le joint / Repositionner le couvercle correctement.
	Débris coincés dans la raclette	Nettoyer la raclette
	Tuyau d'aspiration colmaté	Enlever les débris
	Utilisation d'une quantité trop importante de solution	Régler le débit de solution sur le panneau de commande
	Cage collectrice de débris pleine	Vider la cage collectrice de débris
Mauvaises performances de lavage	Brosse ou tampon usé(e)	Retourner ou remplacer les brosses
	Mauvais type de brosse ou de tampon	Consulter Advance
	Produit chimique inadapté	Consulter Advance
	Déplacement trop rapide de la machine	Ralentir
	Utilisation d'une quantité de solution trop faible	Augmenter le débit de solution sur le panneau de commande
Débit de solution inadéquat ou absence de solution	Réservoir de solution vide	Remplir le réservoir de solution
	Conduits, valves et filtre de solution encrassés	Rincer les conduites et nettoyer le filtre de solution
	Vanne d'arrêt de la solution fermée	Ouvrir la vanne d'arrêt de la solution
	Électrovanne de la solution	Nettoyer ou remplacer la vanne
La machine ne démarre pas	Connecteur de la batterie débranché	Rebrancher les connecteurs de batterie
	Disjoncteur 2,5 A déclenché	Vérifier la présence d'un court-circuit et réarmer
Absence d'entraînement avance / recul des roues	Contrôleur de vitesse du système d'entraînement	Vérifier les codes d'erreur (voir Manuel d'entretien)
	Disjoncteur de 30 A déclenché	Vérifier une éventuelle surcharge du moteur d'entraînement
Mauvaises performances du balayage (modèle cylindrique)	Trémie remplie	Vider et nettoyer la trémie
	Brosses usées	Remplacer les brosses
	Poils de brosses endommagés	Retourner les brosses
Aucun débit de détergent (modèles EcoFlex uniquement)	Cartouche de détergent vide	Remplir la cartouche de détergent
	Conduite de débit de détergent tordue ou colmatée	Vidanger le système et redresser les conduites pour éliminer les torsions.
	Le bouchon de fermeture hermétique sur la cartouche de détergent est mal fermé	Bien refermer le bouchon de fermeture hermétique
	Câblage de la pompe de détergent débranché ou inversé	Brancher ou rebrancher le câble

SPÉCIFICATIONS TECHNIQUES (TELLES QU'INSTALLÉES ET TESTÉES SUR L'UNITÉ)

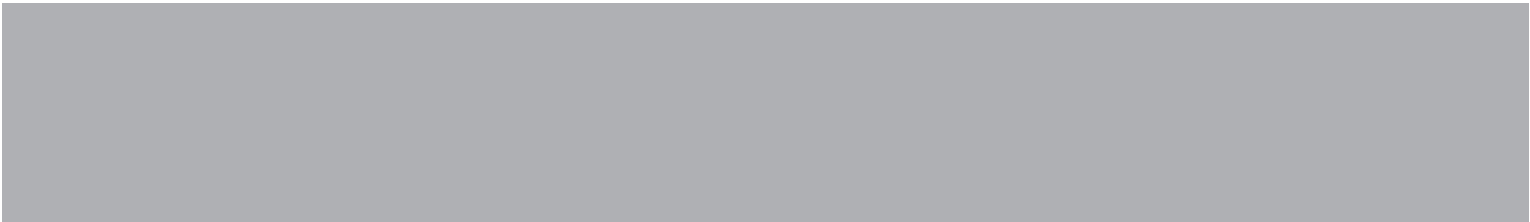
Modèle		Advance SC901 ST 28D	Advance SC901 ST 34D	Advance SC901 ST 32C
N° de modèle		56115530	56115531	56115532
Tension, batteries	V	36	36	36
Capacité de la batterie	Ah	310	310	310
Niveau de protection		IPX4	IPX4	IPX4
S P L CEI 60335-2-72: Modif. 2002 1:2005, ISO 11201	dB(A)/20µPa	68	68	69
S P L – KpA (CEI 60335-2-72, ISO 11201) Incertitude	dB(A)	±3,0	±3,0	±3,0
Vibrations au niveau des commandes manuelles (ISO 5349-1)	m/s ²	< 2,5	< 2,5	< 2,5
Charge de roue maximum au sol (avant droite)	psi N/mm ²	147 / 1,0	128 / 0,89	155 / 1,1
Charge de roue maximum au sol (avant gauche)	psi N/mm ²	107 / 0,74	132 / 1,0	128 / 0,88
Charge de roue maximum au sol (arrière droit)	psi N/mm ²	205 / 1,4	432 / 3,0	245 / 1,7
Charge de roue maximum au sol (arrière gauche)	psi N/mm ²	521 / 5,6	640 / 4,4	416 / 2,9
Largeur de la machine (châssis)	pouce / cm	30,3 po. / 77,0	30,3 po. / 77,0	30,6 po. / 77,7
Largeur de la machine avec raclette	pouce / cm	41,8 po. / 106,2	41,8 po. / 106,2	41,8 po. / 106,2
Hauteur de la machine	pouce / cm	44,8 po. / 113,8		
Longueur de la machine	pouce / cm	65,4 po. / 166	67,4 po. / 171	63,1 po. 160,3
Capacité du réservoir de solution	Gallon / L	30 / 113,6		
Capacité du réservoir de récupération	Gallon / L	32 / 121		
Taille du compartiment batteries (approximative)				
Hauteur (maximum)	pouce / cm	15 / 38		
Largeur (maximum)	pouce / cm	26 / 66		
Longueur (maximum)	pouce / cm	27,5 / 70		
Taille des brosses à récurer				
Diamètre extérieur des brosses à récurer - Cylindrique (le mandrin mesure x po. / x,x cm)	pouce / cm	-	-	5,5 / 13,9
Longueur des brosses à récurer - Cylindrique (deux brosses par machine)	pouce / cm	-	-	31 / 78,7
Diamètre de la brosse – Disque (deux brosses par machine)	pouce / cm	14 / 35,5	17 / 43,1	-
Vitesse des brosses à récurer	Tr./min.	250	250	900
Largeur de lavage (chemin de récurage)	pouce / cm	28 / 71,1	34 / 86,3	31 / 78,7
Poids brut*	livres / kg	1189 / 539,3	1205,5 / 546,8	1235 / 560,2
Taille du moteur d'aspiration - 710 watts max	CV	0,95		
Taille du moteur d'entraînement	CV	0,5		
Taille du moteur des brosses à disque	CV	0,75	0,75	-
Taille du moteur des brosses cylindriques	CV	-	-	0,75
Pression brosse	livres / kg	90 / 41 145 / 65 200 / 90	90 / 41 145 / 65 200 / 90	75 / 34 100 / 45 125 / 56
Vitesse de récurage maximum		3,2	3,2	3,2
Vitesse de transport maximum		3,2	3,2	3,2
Poids de transport** (avec raclette et plateau de lavage)	livres / kg	942	979	1006
Transport en pente		2% (1,15°)	2% (1,15°)	2% (1,15°)
Nettoyage en pente		2% (1,15°)	2% (1,15°)	2% (1,15°)

*Poids brut : machine standard sans option, réservoir de solution plein et réservoir de récupération vide, avec brosses à récurer amovibles et batteries 310 AH installées.

**Poids de transport : machine standard sans option, réservoirs de solution et de récupération vides, batteries installées et sans opérateur.

COMPOSITION DU MATÉRIEL

Composition des matériaux et capacité de recyclage		
Type	% du poids de la machine	% Recyclable
Aluminium	5%	100%
Électrique / moteurs électriques et autres - divers	20%	25%
Métaux ferreux	20%	100%
Harnais / câbles	3%	75%
Liquides	0%	0%
Plastique - non-recyclable	3%	0%
Plastique - recyclable	3%	100%
Polyéthylène	39%	100%
Caoutchouc	8%	34%



9435 Winnetka Ave North
Minneapolis, MN 55445
www.advance-us.com
Phone: 800-989-2235
Fax: 800-989-6566
©2019 Nilfisk, Inc.

